



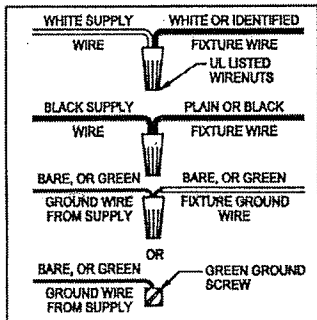
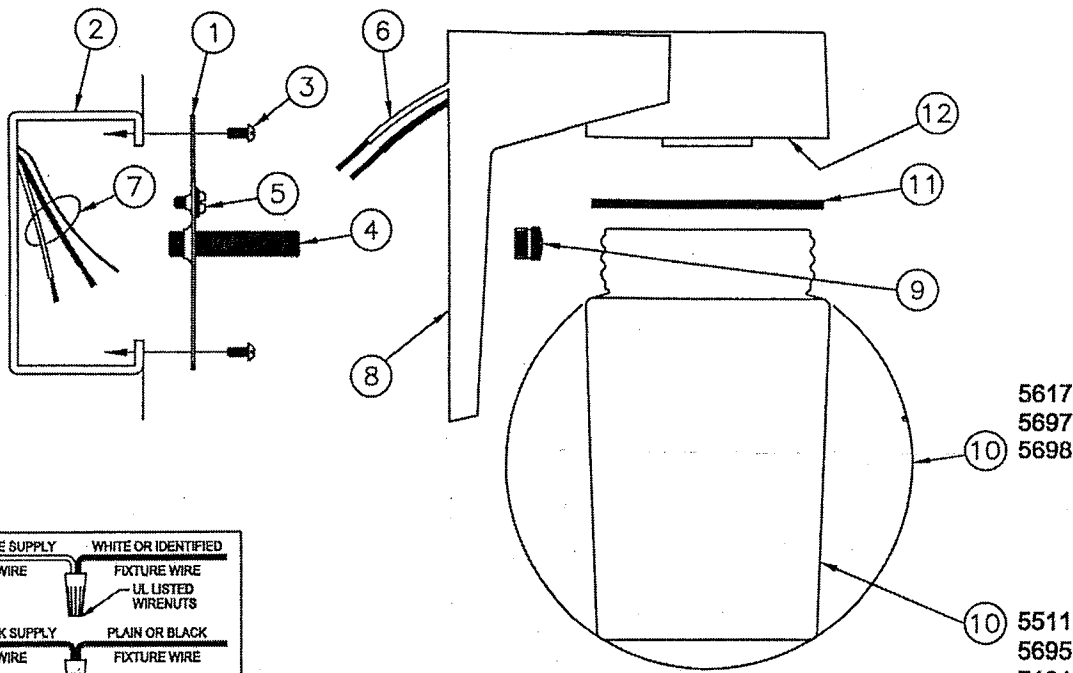
Assembly & Installation Instructions

CAUTION: Read instructions carefully and turn electricity off at main circuit breaker panel before beginning installation.

5511, 5617, 5695, 5697, 5698, 7191, 7192, 7193

WARNING - If any Special Control Devices are used with this Fixture, Follow the Instructions Carefully to assure full compliance with N.E.C. requirements. If there are any questions, contact a Qualified Electrical Contractor.

WARNING - To comply with the National Electric Code and Underwriters Laboratories requirements, the edge of the wall plate coming in contact with the mounting surface must be sealed with a latex waterproof caulking to prevent water from entering the outlet box.



- 1.- Fasten Mounting Strap (1) to Outlet Box (2) with Mounting Screws (3) (NOT FURNISHED) from Outlet Box (2). Thread Nipple (4) and Green Ground Screw (5) into Mounting Strap (1).
 - 2.- Connect Fixture Wires (6) to Supply Wires (7) as shown in Wiring Diagram.
 - 3.- Slip Wall Plate (8) over Nipple (4) and secure in place with Capnut (9).
 - 4.- Install Lamp (NOT FURNISHED).
- CAUTION:** All glass is fragile, use care when handling Glass Shade (10) and lamp.
- 5.- Place Gasket (11) over neck of Glass (10).
 - 6.- Thread Glass (10) into Holder (12).