

# HARVIA

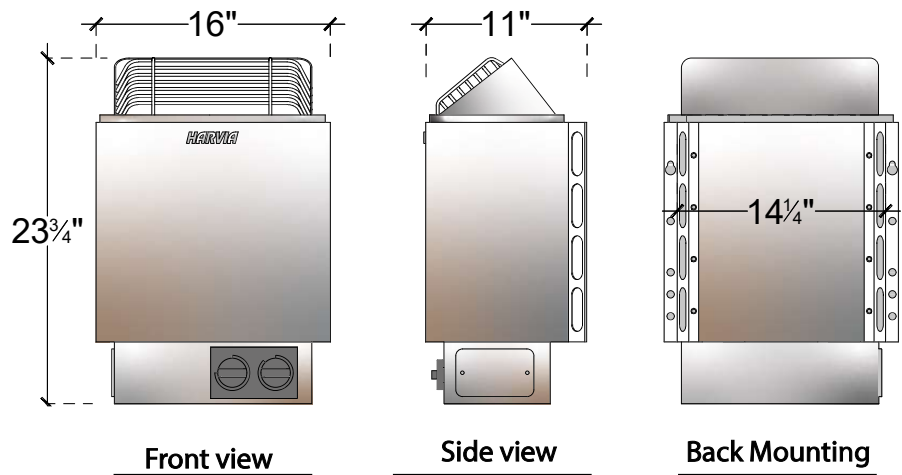
## HARVIA KIP 4.5 KW WALL-MOUNTED SAUNA HEATER WITH BUILT IN CONTROLS KIP-45-240



### FEATURES

The Harvia KIP is a traditional wall-mounted heater that is sure to warm the bather and heats up the sauna quickly. Reliable and affordable, The KIP is also adaptable, as the control can be placed on the left or right or on the front of the heater.

### SPECIFICATIONS



### CODES/STANDARDS



UL Listed 6J21

HARVIA® MADE IN FINLAND  
Limited Warranty

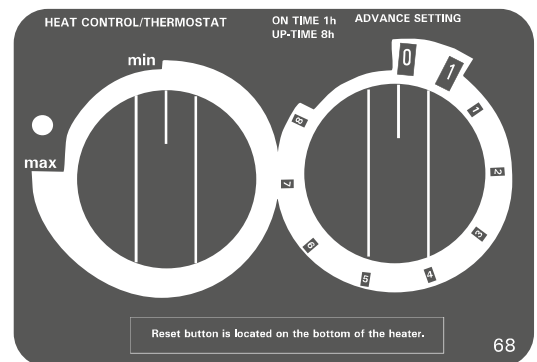
3 year residential  
(use limited)



Product weight: 30 Lb.

### HEATER CONTROLS

The Harvia KIP has 2 knobs on the front of the heater. The first one is for controlling the heat (up to 194°F), and the other is for setting the time in cycles of 1 hour with a delay of up to 8 hours.



### AVAILABLE COLOR

Color	Description
	Stainless steel

### ACCESORIES

- Bucket with ladle.
- Sauna fragrances.
- Rocks. (45 Lb.)
- Heater guard.

# HARVIA



**HARVIA KIP 4.5 KW  
WALL-MOUNTED SAUNA HEATER  
WITH BUILT IN CONTROLS  
KIP-45-240**

## VOLTAGE AND SAUNA VOLUME

Voltage	Breaker size AMPS	Wire size AWG	Sauna volume min. cu. ft.	Sauna volume max. cu. ft.
240 V 1-PH	30	10	100	210

## PARTS INCLUDED

QTY	DESCRIPTION
1	Wall bracket
3	Tapping screw
1	Casing
1	Heating element
5	Slothead screw
1	Stone compartment, assembled (frame)
1	Electrical casing, assembled
1	Plate
2	Screw
1	Rating plate
1	Hexagon nut
1	Thermostat
1	Timer
1	Terminal strip (USA)
1	Strip fixing screw (USA)
1	Base plate
1	Bracket
1	Overheating limiter/switch
1	Contactora (USA)
1	Protective grille

## SPARE PARTS

- Heating element 1500W/240V
- Wooden cover package
- Knob
- Gasket plate for heating element
- Air-flow spoiler
- Wall mounting bracket
- Steel casing Kip
- Connection cable holder Harvia
- Slot-head screw Din 7985 M4\*6 S
- Hex nut Din 934 M4S
- Slot-headed screw Din 7985 M5\*10 S
- Screw self-adh. 4,2\*6,5S Din7981Pz
- Thin sheet screw Din 7976 4,2\*19S
- Rock guard
- Slot-headed screw M4\*20
- KIP warning sign packing EN
- LA6, 2.1.-13.3 Solderless aluminium lug
- Terminal block screw 4.8\*13 Bz
- Furnace grate for KIP
- Gasket for heating element
- Harvia mark with sticker
- Cover for sensor, USA
- Knob, Forte AF
- Heating element 1500W 240V

Venting under sauna heater and a high vent out on opposite wall is required for the sauna to operate properly.

