

MODULAR INSTALLATION SAUNA MANUAL BY NORDIC SAUNA



BASE FRAMING

- 1) Set the wood base frame together with screws (see figure 1).
- 2) Measure diagonally all four corners to ensure the base frame is even (see figure 2).
- 3) Ensure the base frame is level. If the base frame is not level, then add small pieces of wood under the frame until the base frame is level.

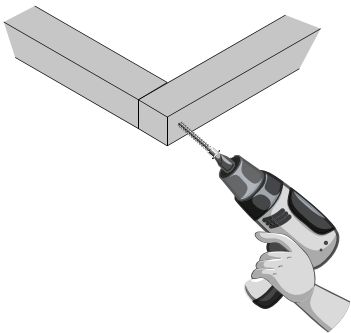


Figure 1

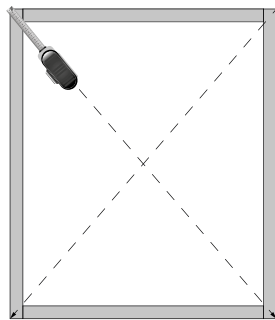


Figure 2



BACK WALL

- 4) Set the back wall on top of the base frame.
- 5) Ensure the wall is set level (see figure 3).

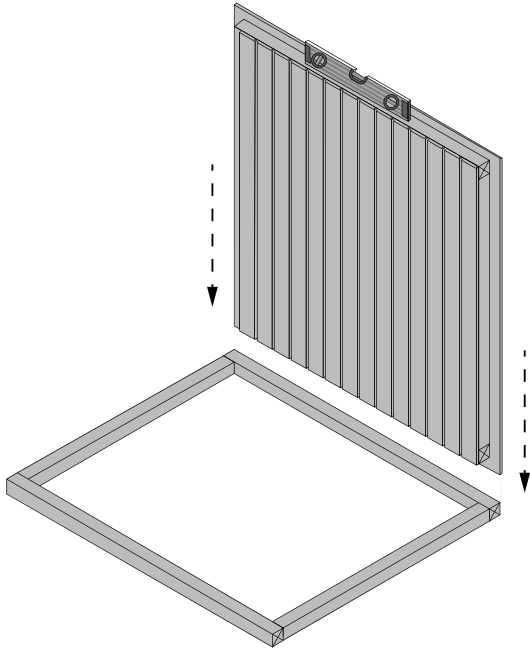


Figure 3.



LEFT WALL

- 6) Set the left wall on top off the base frame.
- 7) Ensure the wall is set level (see figure 4)
- 8) Use an Allen key to join the left wall and back wall together. (see figure 5).

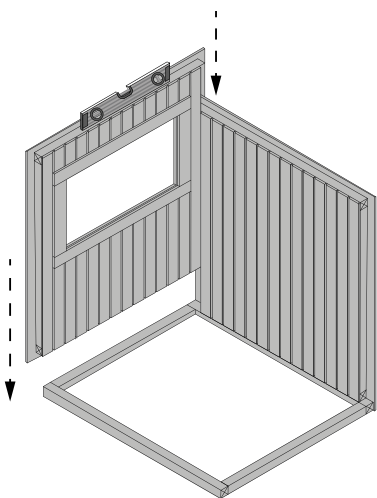


Figure 4.

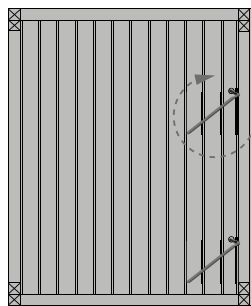


Figure 5.



RIGHT WALL

- 9) Set the right wall on top of the base frame by lowering the wall onto the frame.
- 10) Ensure the wall is set level (see figure 6).
- 11) Use an Allen key to join the right wall and back wall together (see figure 7).

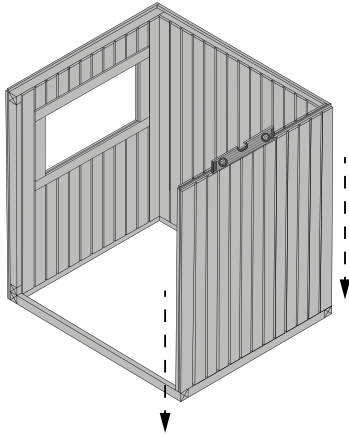


Figure 6.

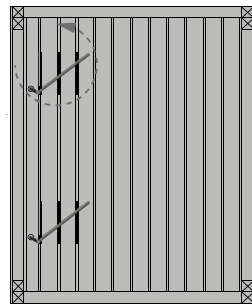


Figure 7.



FRONT WALL

- 12) Set the front wall on top of the base frame by lowering the wall onto the frame.
- 13) Ensure the wall is set level (see figure 8).
- 14) Use an Allen key to join the front wall with the left and right walls (see figure 9).

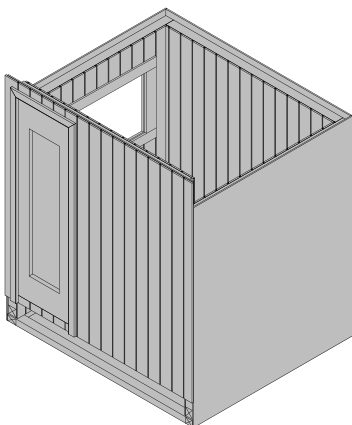


Figure 8.

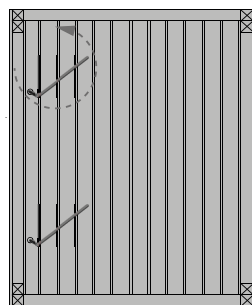


Figure 9.



CEILING

- 15) Set the ceiling on top of the walls (see figure 10).
Use an Allen key to join the ceiling to all four
- 16) walls (see figure 11).

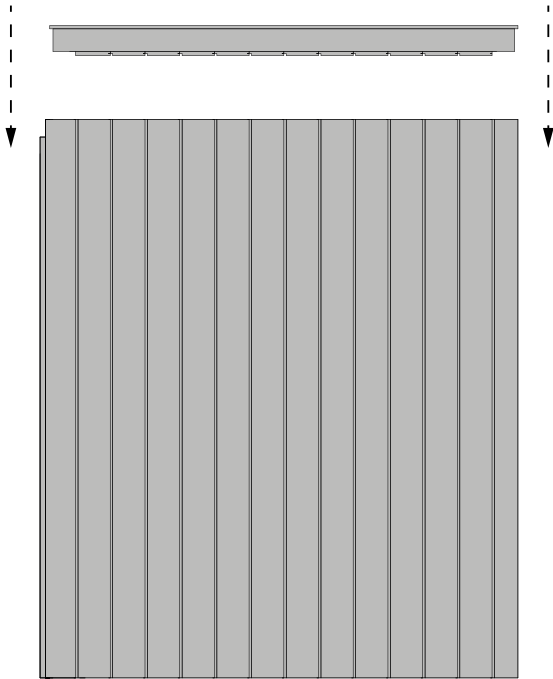


Figure 10.

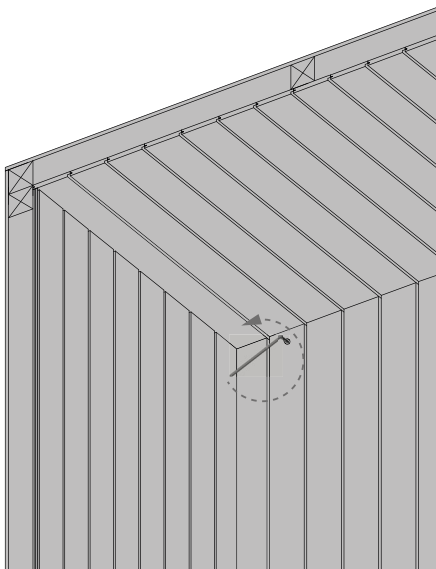


Figure 11.



CEILING

- 17) Layout the sloped wooden poles on top of the roof the side of the sauna you want the water to drain to. Use a tape measure to ensure an even layout of the poles (see figure 12).
- 18) Attach the wooden poles to the top of the roof with screws (see figure 13).

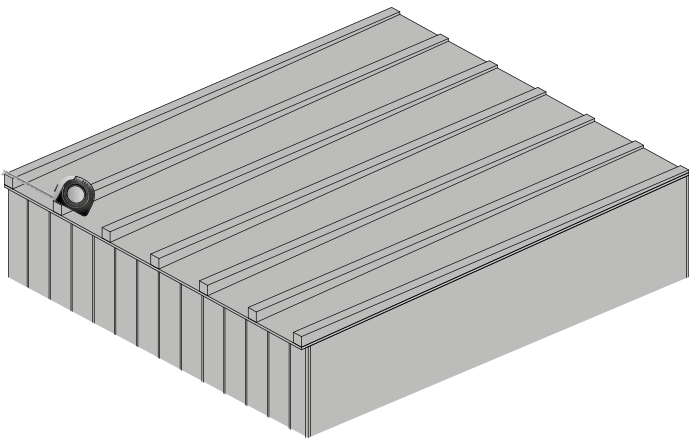


Figure 12

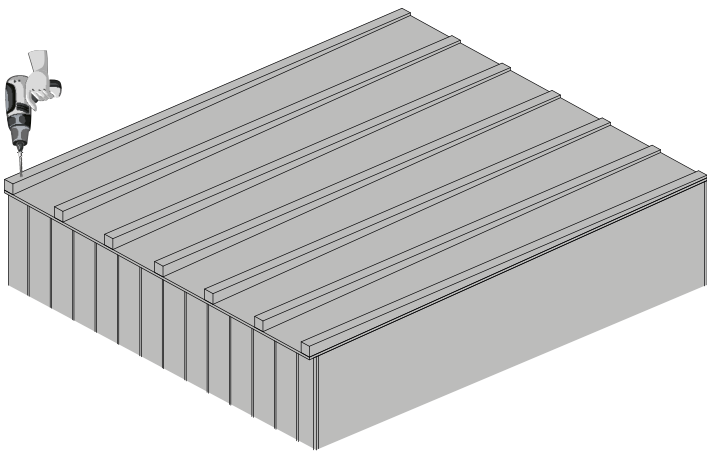


Figure13



CEILING

- 19) Set the plywood on top of the sloped wooden poles (see figure 14).
- 20) Attach the plywood to the wooden poles with screws (see figure 15).
- 21) Measure the roof. Cut the roofing felt to the dimensions of roof (see figure 16).
- 22) Layout the roofing felt onto the plywood. Attach the roofing felt by removing the backing and pressing the roofing felt down into the plywood (see figure 17).

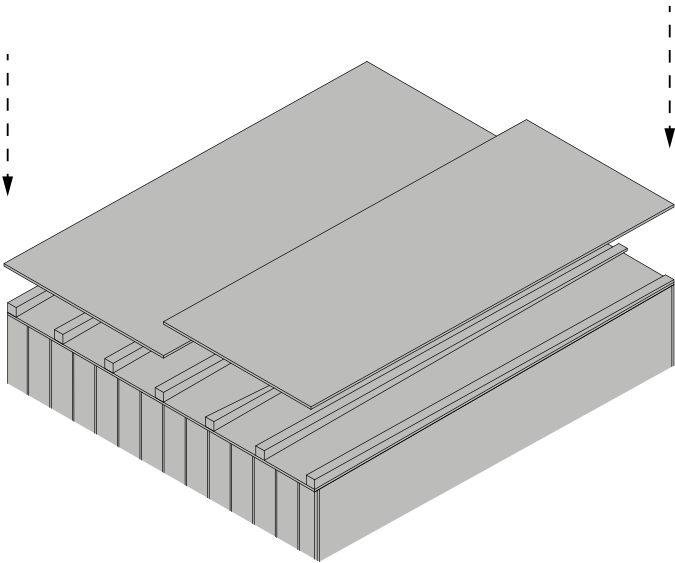


Figure 14

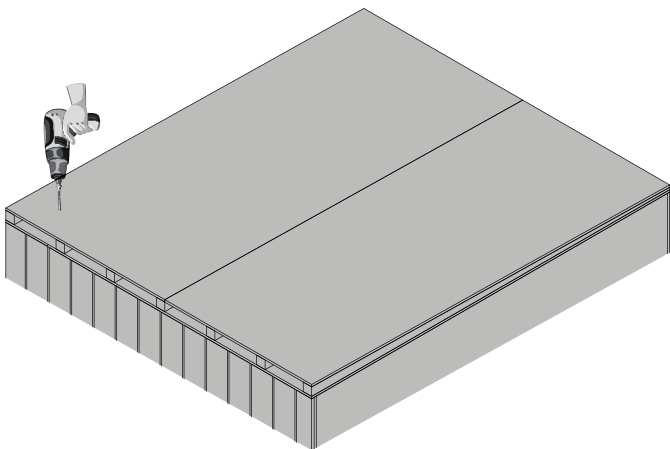


Figure 15



Figure 16



Figure 17

Trim

- 23) Measure and cut the wood trims.
- 24) Use an air brad nailer to attach the trims to the top of each wall (see figure 17).

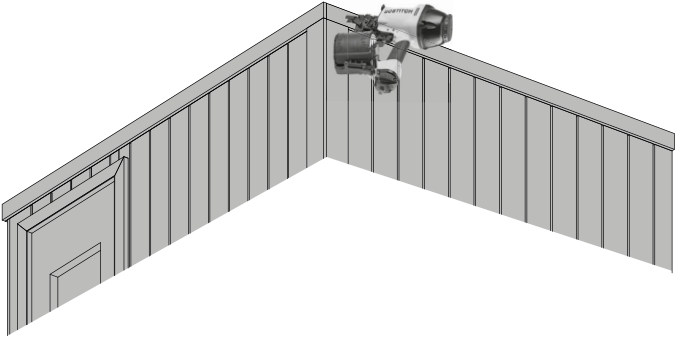


Figure 1

