



SAWO DRAGONFIRE BUCKET AND LADLE

SAUNA ACCESSORIES

SA77-127

MADE IN PHILIPPINES

MATERIALS 

Wood and Plastic

AVAILABLE COLOR 



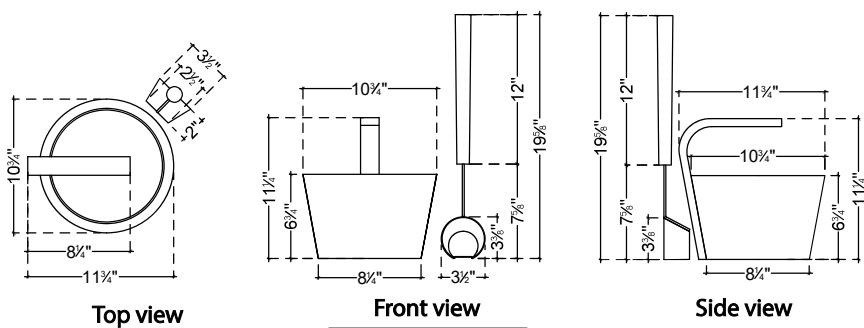
Black

FEATURES 

The Sawo Dragonfire Bucket + Ladle Set is seamlessly crafted from wood with the design intended to elevate your sauna experience. This harmonious set, available in dark wood, includes a plastic liner inside the bucket designed to prolong its lifespan. The bucket features a gracefully curved wooden handle, enhancing both aesthetics and functionality. It has a capacity of 1 gallon.



DIMENSIONS 



HOW TO USE 

Fill the bucket with water and add a few drops of your favorite essence. Elevate your sauna experience by pouring water onto your heater using this bucket and ladle. The quantity of water you add to the heater depends on whether you prefer a drier or more humid sauna environment. Avoid leaving the bucket to dry inside the sauna.