



TYLO U7 SENSE ELITE 7KW

WALL-MOUNTED SAUNA HEATER

HT-TSE-U7-240

Features

- High quality stainless steel construction for stone compartment.
- Divided Output functionality. Reduces power output once set temperature is reached.
- Thermosafe protective coating. Reduces accidental skin burns.

Material

- Stainless Steel and thermosafe protective coating.

Parts Included

- Sauna heater.
- Herb bowl/air humidifier.
- Brackets x 4.
- Lock screw B8x9.5 x 1.
- Warning and caution signs
- Screws B 4 x 6.5 x 6 for warning and caution signs.
- Bracket screws x 4.
- Control panel Elite Cloud
- NTC Sensor , cable length 13 feet.
- Clips TC (3-5) x10 Pieces.
- Plastic plugs 25x5 x 2 pcs.
- Screws B6x25 x 2 pcs.
- Screw B4x6.5 x 1 piece.
- Sensor cover.
- Rock guard.
- Protection hose ø14x150 mm x 2 pcs, for RJ10 cables (sensor, control panel).



Codes / Standards



ETL Listed 9900218

Installation Requirements

- Sauna heater
- Control panel Elite Cloud
- Sensor
- Low vent in
- High vent out

Tylo® MADE IN SWEDEN
Limited Warranty

1 year commercial
5 year residential
(use limited)

Voltage and Sauna Volume

Voltage	Breaker size AMPS	Wire size AWG	Sauna volume min. cu. ft.	Sauna volume max. cu. ft.
208 V 1-PH	40	8	175	265
240 V 1-PH	40	8	175	320

Available Colors

Color	Description
■	Black

Recommended Products/Accessories

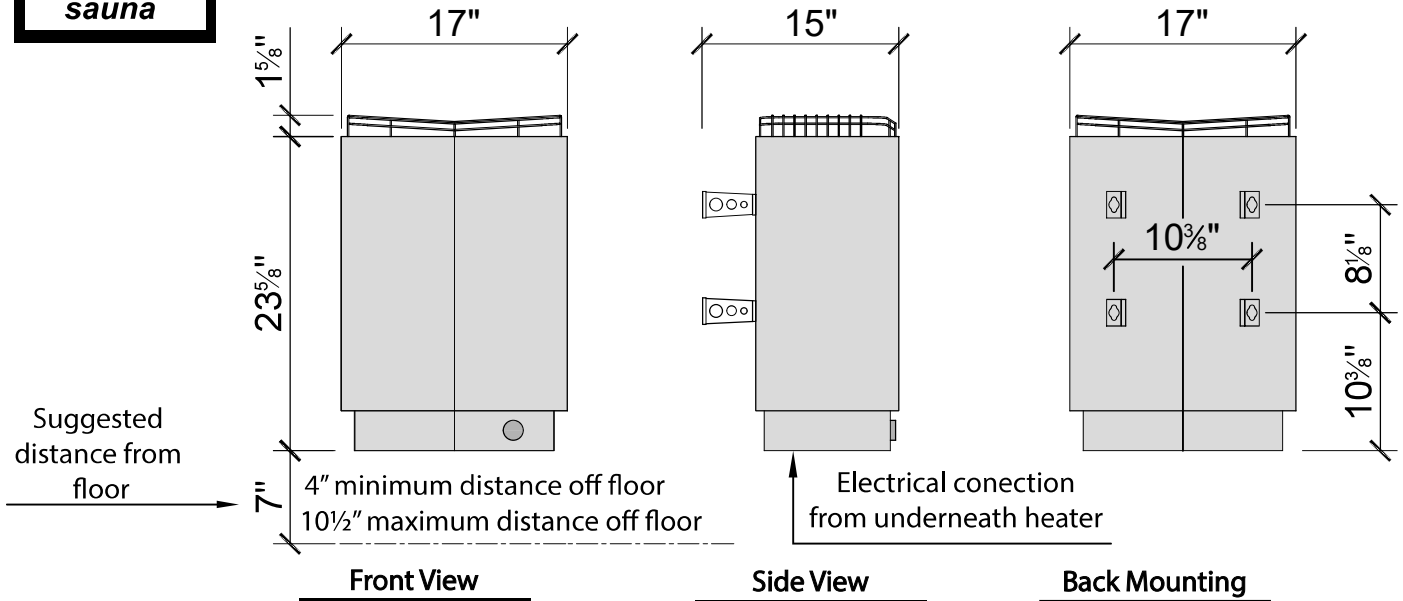
- User Button ON/OFF
- Control Extension Cable 35 feet
- Rocks (45 Lb.)
- Tylo Floor Stand
- Recess Trim Kit for control
- XL Temperature Cable



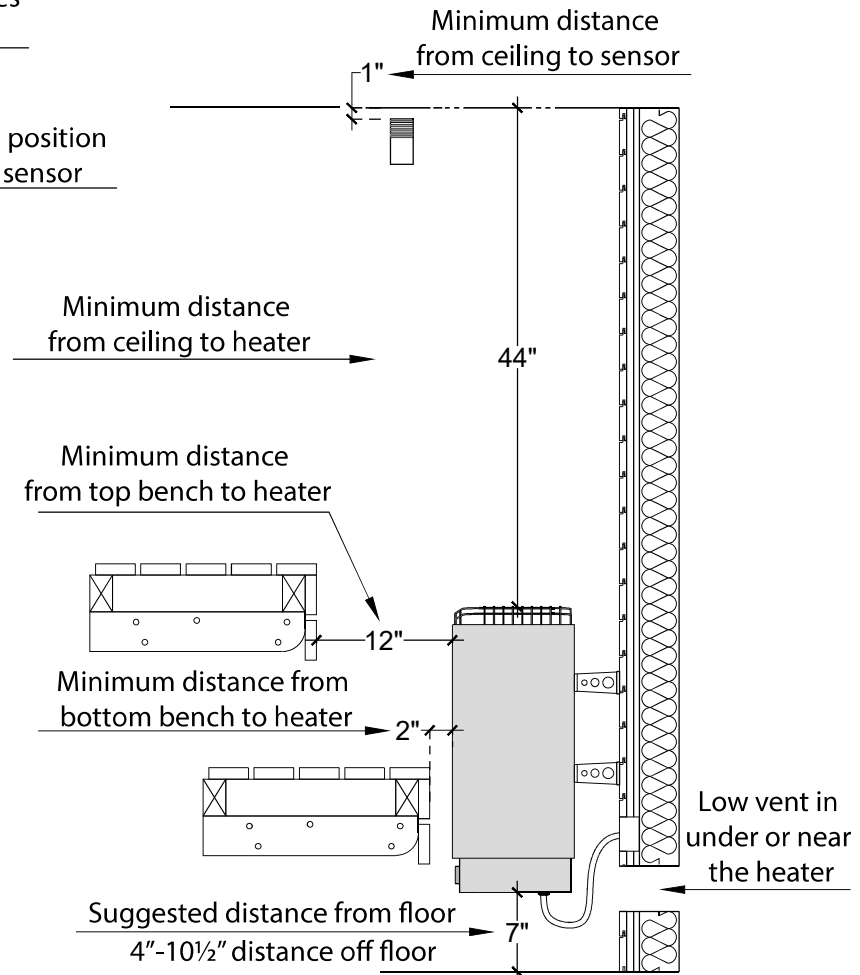
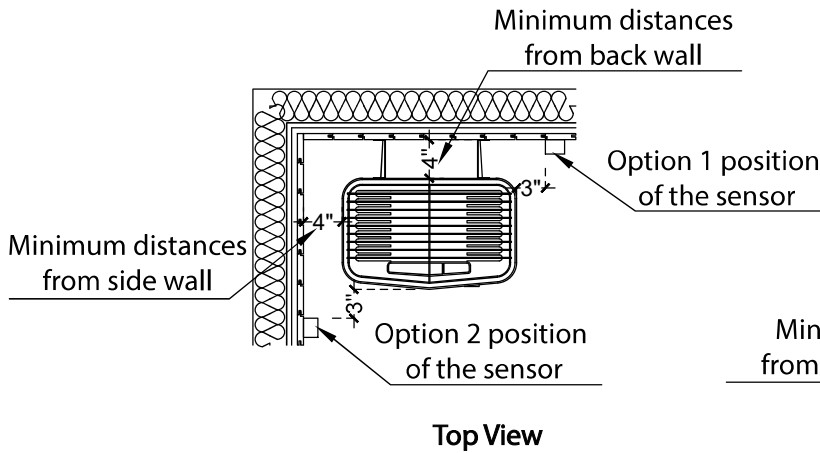
TYLO U7 SENSE ELITE 7KW

WALL-MOUNTED SAUNA HEATER

HT-TSE-U7-240



Maximum ceiling height: 96 in.
Minimum ceiling height: 75 in.



Control Panel Elite Cloud

- The control panel position can be installed inside or outside the sauna room, the minimum distance when is installed inside the sauna is 12" between heater and control panel and the max height is 36" distance off floor.

Vent out

- Can be positioned through the sauna wall
- Can be positioned through a cavity
- Can be positioned via duct through ceiling