

HARVIA XENIO (WI-FI OPTIONAL) WALL-MOUNTED CONTROL PANEL FOR SAUNA HEATER XENIO-200-000

CODES/STANDARDS



ETL LISTED
CONFORMS TO
UL STD 875
CERTIFIED TO
CAN/CSA STD
E60335-2-53-05

HARVIA® MADE IN FINLAND Limited Warranty

3 year residential
(use limited)
1 year commercial
(use limited)



FEATURES

- Enjoy wireless control with Xenio WiFi. Connect to local WiFi and manage your sauna via MyHarvia app.
- Control sauna temp, humidity, lighting, and ventilation.
- Advanced features for daily use, like scheduling sauna sessions and monitoring status on your phone.
- Xenio WiFi package for easy installation.
- Remote kit includes Xenio WiFi control panel which can be easily replaced with the current control panel.

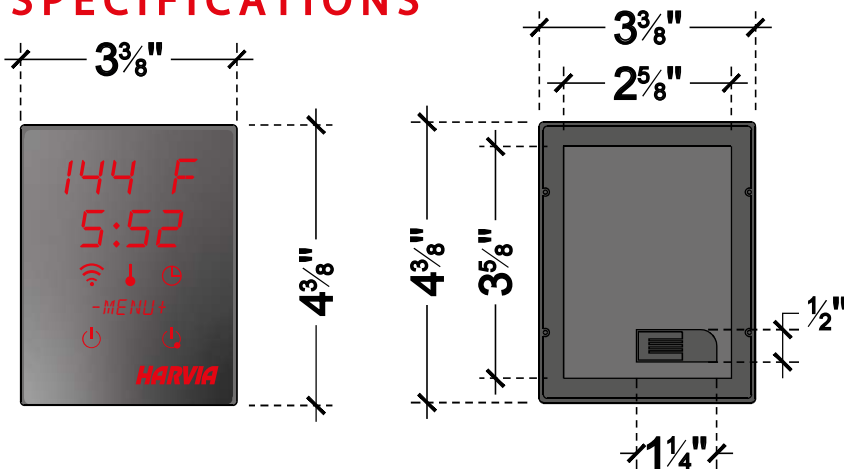
AVAILABLE COLOR

| Color | Description |
|-------|-------------|
| ■ | Black |

INSTALLATION REQUIREMENTS

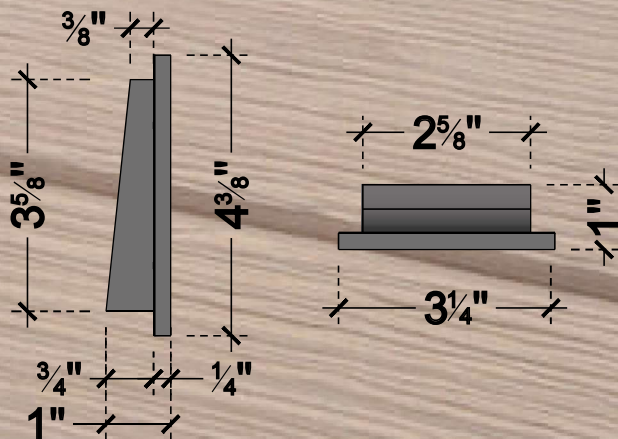
- Power unit.
 - Extension power unit.
 - Sensor.
 - Harvia sauna heater
 - Xenio Control unit (WI/FI optional).
 - High limit sensor.
- For WI-FI control:
- 2.4 GHz WI-FI and more than 50% of strength signal.

SPECIFICATIONS



Product weight: 0.37 Lb.

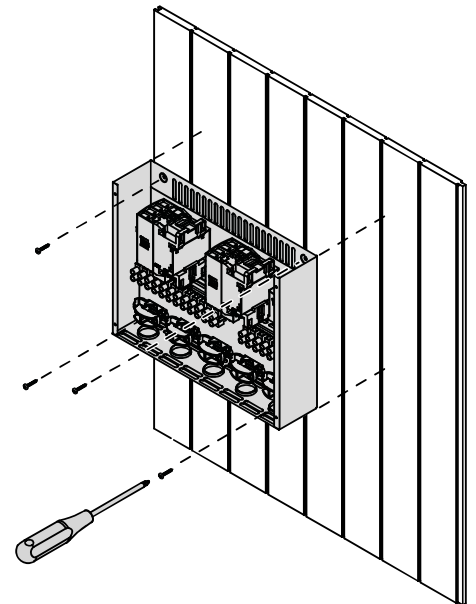
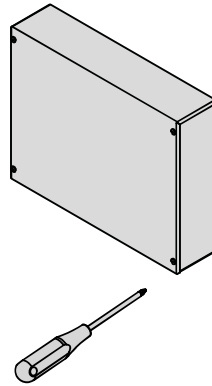
HARVIA



The power extension unit is always used together with the Harvia control unit. It is not possible to control the heater with out the power extension unit.

Install the power extension unit to a wall outside the sauna room, in the vicinity of the control unit, in a

The electrical connections of the power extension unit and control unit may only be made by an authorised, professional electrician and in accordance with the current regulations. When the installation of the power extension unit and control unit is complete, the person in charge of the installation must pass on to the user the instructions for installation and use that come with the power extension unit and control unit and must give the user the necessary training for using the heater and the control unit.

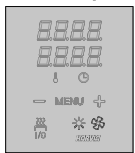


| 208V 3Ph | Power per electric circuit. | Wire size. | |
|-------------------------------|-----------------------------|------------|----|
| | KW | A | B |
| 2-Separated Electric Circuits | 0-5.4 | 14 | 14 |
| | 5.5-7.2 | 12 | 12 |
| | 7.3-9.0 | 10 | 10 |
| | 9.1-12.5 | 8 | 8 |
| | 12.6-15.6 | 6 | 6 |

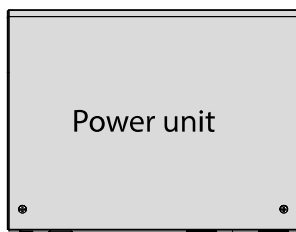
| 240V 1Ph | Power per electric circuit. | Wire size. | |
|-------------------------------|-----------------------------|------------|-----|
| | KW | A | B |
| 4-Separated Electric Circuits | 0-6.4 | 14 | 14 |
| | 6.5-9.0 | 12 | 12 |
| | 9.1-10.8 | 10 | 10 |
| | 10.9-14.2 | 8 | N/A |
| | 14.3-21.0 | 6 | N/A |

SYSTEM COMPONENTS

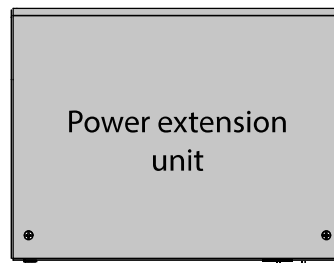
Control panel



Data cable



Main switch



Control circuit wires

Control circuit wires

Dry zone
Sauna room



Temperature sensor

