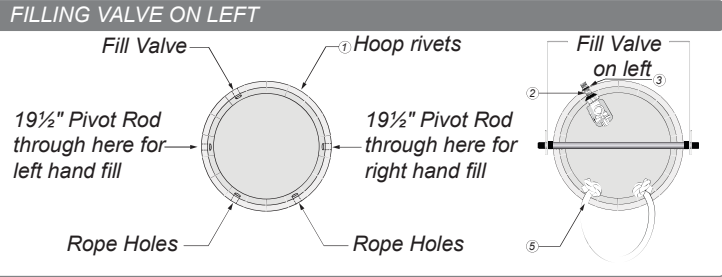
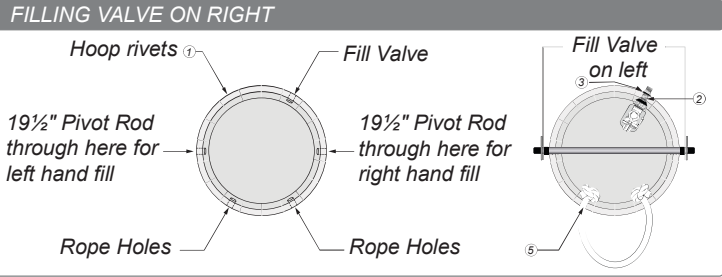
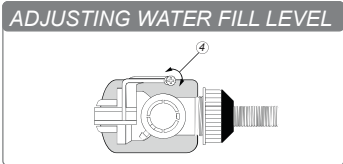


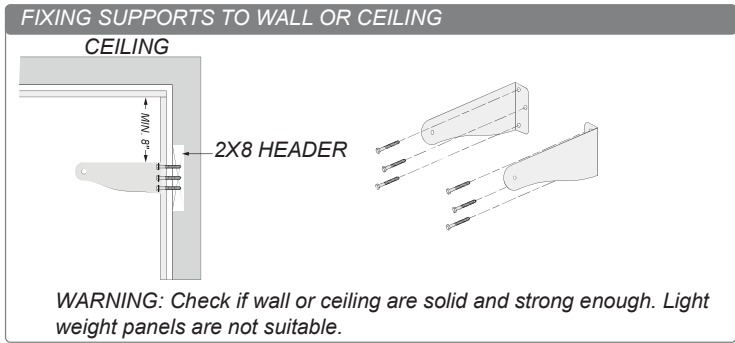
1. Turn bucket: The rivets of the hoops must be on the backside (opposite to rope)
2. Insert Brass thread of filling valve through bucket's hole from inside
3. Put second rubber gasket on thread and fasten either with plastic nut or with adapter 1/2" to 3/8". If using adapter, you must seal the thread with Teflon tape.



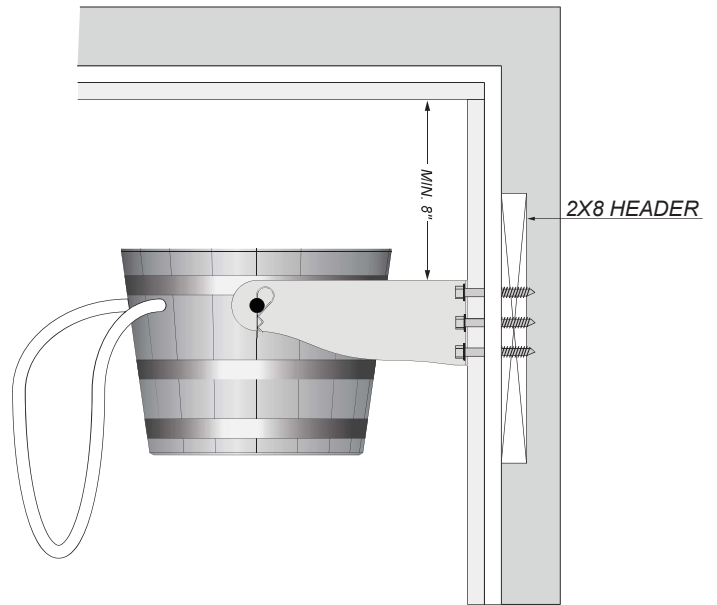
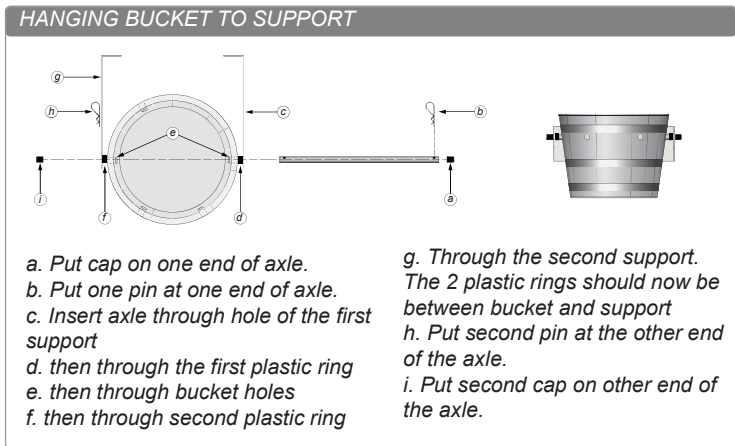
4. Adjust the filling amount by varying the height of the filling valve's swimmer (approx 5 - 14 1/2 liters)



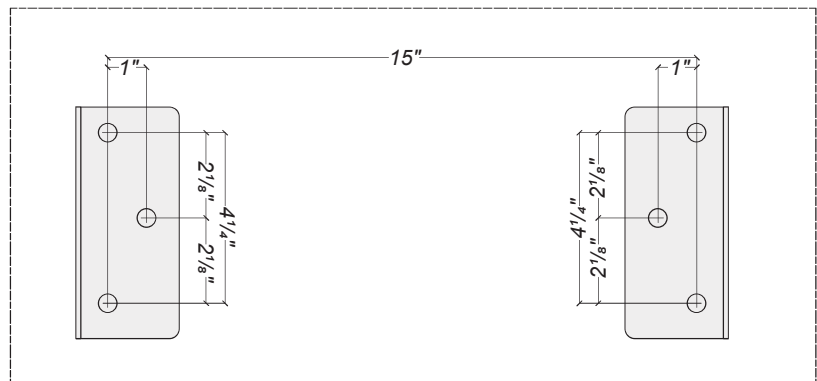
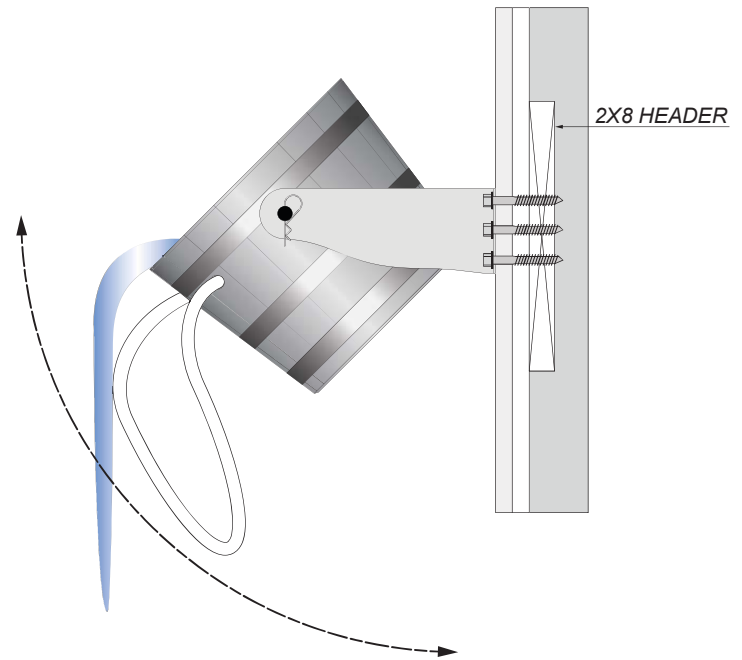
5. Put both ends of the rope through the 2 holes in front of bucket and fix it with 2 knots. If you cut the rope you have to weld the ends again
6. First fix only the support without bucket at wall or ceiling.



7. Minimum distance between ceiling and top edge of support: 8"
 8. Fix the 2 support parts with 6 screws 10mm - 12mm by using the drilling template.
- You must use heavy duty screws. Attache to a 2x8 header board (recommended).
9. Hang Bucket on supports



12. Connect filling valve to your water supply by using a flexible hose with 1/2" or 3/8" female thread (hose not included). The hose should be long enough to allow hanging slack.
13. Open water supply and test function / clean bucket
14. Adjust filling amount and rope if necessary



DELUXE BUCKET SHOWER

WALL-MOUNTED BUCKET SHOWER

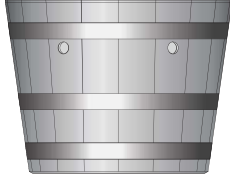
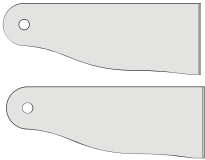
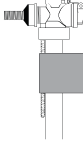







BUCKET-SHOWER-20-001



FEATURES:

After indulging in a sauna session, elevate your experience by relishing the invigorating feeling of pouring cold water over yourself. With the provided 30L bucket, immerse yourself in a refreshing cascade that rejuvenates the senses and revitalizes the body.

PARTS INCLUDED:

	 <p>2 pcs Wall Brackets</p>
 <p>1 pc Filling Valve</p>	 <p>2 pcs Pins</p>
 <p>1 pc 1/2" adapter</p>	 <p>1 pc Rubber Gasket</p>
 <p>1 pc 80" Pull Rope</p>	 <p>2 pcs Spacers</p>  <p>2 pcs End Caps</p>  <p>19 1/2" Pivot Rod</p>

DIMENSIONS:

