

# HARVIA

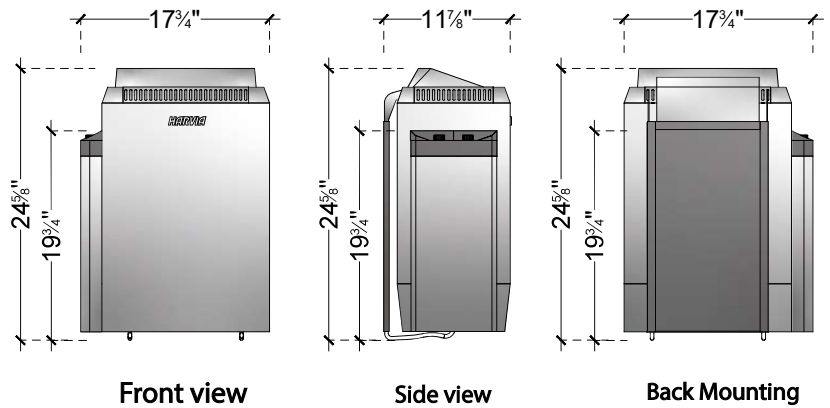
## HARVIA TOP CLASS KV 45 4.5KW WALL-MOUNTED SAUNA HEATER BUILT IN CONTROLS TOP CLASS-45-240



### FEATURES

Harvia Topclass establishes a new standard for user-friendly sauna heaters. The illuminated control panel is positioned on the side of the heater, specifically toward the top section, facilitating easy access to the controls even in the dim lighting of a sauna room. The heater is simple to mount on a separate mounting rack, and the control panel can be affixed to either the right or left side of the heater.

### SPECIFICATIONS



Product weight: 35.27 Lb.

### CODES/STANDARDS



LISTED 6J21  
SAUNA HEATER

HARVIA® MADE IN FINLAND  
Limited Warranty

3 year residential  
(use limited)



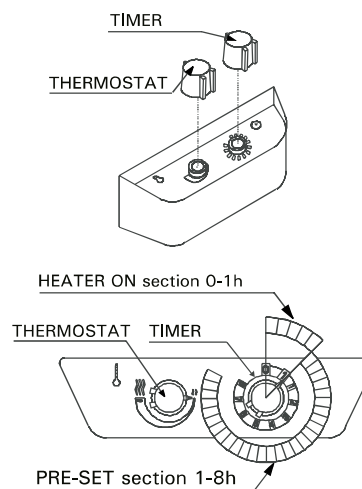
### AVAILABLE COLOR

Color	Description
	Stainless steel

### ACCESORIES

- Bucket with ladle.
- Sauna fragrances.
- Rocks. (45Lb.)
- Heater guard.

### HEATER CONTROLS



**TIMER:** To activate the heater, use the timer switch, and the indicator lights will illuminate. The timer features two scales: the "instantly on" section (0-1 hours) to start heating and the "pre-set section" to delayed start up to 8 hours.

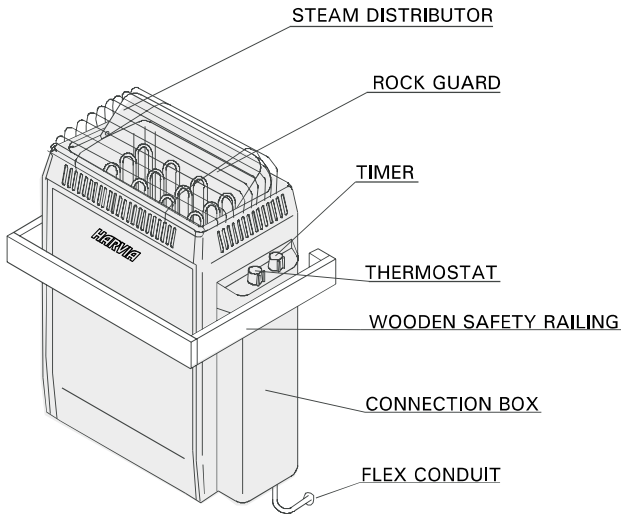
**THERMOSTAT:** The temperature can be adjusted by the thermostat, to choose between low and maximum temperature (max temp. 194° F.)

# HARVIA

## HARVIA TOP CLASS KV 45 4.5KW WALL-MOUNTED SAUNA HEATER BUILT IN CONTROLS TOP CLASS-45-240

### VOLTAGE AND SAUNA VOLUME

Voltage	Breaker size AMPS	Wire size AWG	Sauna volume min. cu. ft.	Sauna volume max. cu. ft.
240 V 1-PH	30	10	100	210



### SPARE PARTS

- Heating elements 1500W/240V
- Bulb cover
- Overheating limiter
- Contactor
- Thermostat
- Timer
- Supply terminal block
- Fitting
- Axlelock  $\varnothing 6$
- Knob + Cap
- Control box plastic part
- Scale plate
- AV Lamp
- Control compartment cover
- Mounting rakk
- Fastening clamp
- Steam distributor
- Rock guard

High vent out can be on the sauna wall, through a cavity, or via a duct through the ceiling.

Before operating the heater, fill the heater with rocks and install the rock guard.

Venting under sauna heater and a high vent out on opposite wall is required for the sauna to operate properly.

