

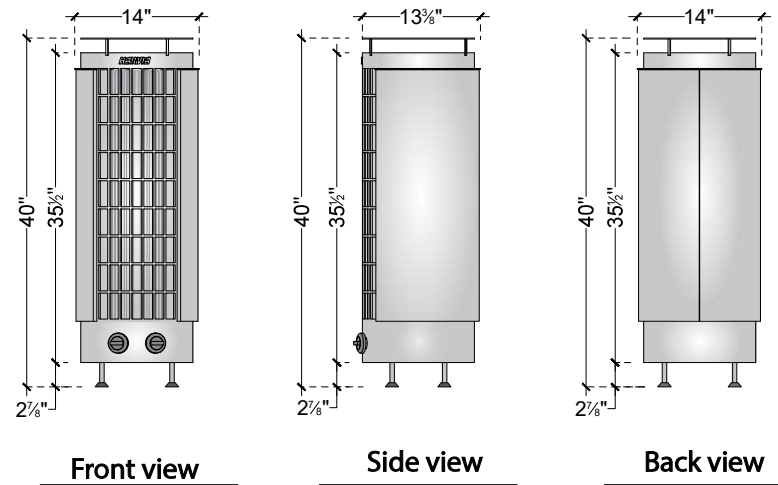
HARVIA

HARVIA CILINDRO 6 KW FLOOR-STANDING SAUNA HEATER BUILT IN CONTROLS CILINDRO-60-240

FEATURES

The Harvia Cilindro electric heater has an outer casing that is partially open at the front, allowing users to enjoy the benefits of a large stone surface. You can adjust between gentle and sharp steam by throwing water in the middle or on top of the stone pillar.

SPECIFICATIONS



Product weight: 37.5 Lb.

CODES/STANDARDS



ETL LISTED
CONFORMS TO
UL STD 875
CERTIFIED TO
CAN/CSA STD
E60335-2-53-05

HARVIA® MADE IN FINLAND
Limited Warranty

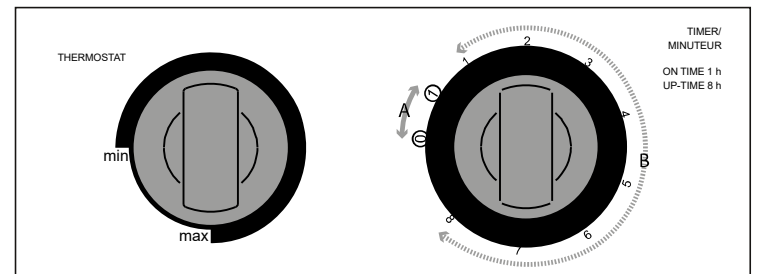
3 year residential
(use limited)



AVAILABLE COLOR

Color	Description
	Stainless steel

HEATER CONTROLS



The Harvia Cilindro has 2 knobs on the front of the heater. The first one is for controlling the heat (up to 194°F), and the other is for setting the time in cycles of 1 hour, with a delay of up to 8 hours.

ACCESORIES

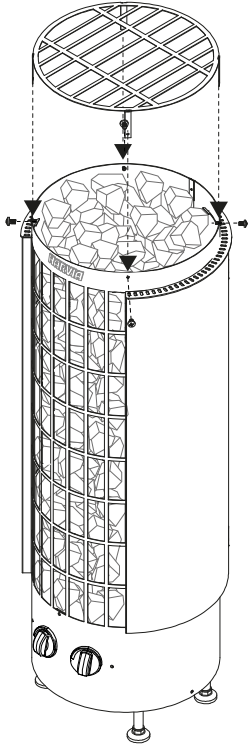
- Bucket with ladle.
- Sauna fragrances.
- Rocks. (200 Lb.)
- Safety railing.
- Safety railing illuminated.
- Heater extension base.
- Embedding flange.
- Embedding flange illuminated.

HARVIA

HARVIA CILINDRO 6 KW FLOOR-STANDING SAUNA HEATER BUILT IN CONTROLS CILINDRO-60-240

VOLTAGE AND SAUNA VOLUME

Voltage	Breaker size AMPS	Wire size AWG	Sauna volume min. cu. ft.	Sauna volume max. cu. ft.
240 V 1-PH	30	10	141	294



SPARE PARTS

- Heating element 2000W/240V
- Grill for Cilindro 6 - 9 kW
- Knob
- Gasket plate for heating element
- Capillary rack USA build in 6 - 9 kW
- Adjusting leg M10x60
- Electric set HPC USA 240V Built-in

Before operating the heater, fill the heater with rocks and install the safety grid.

Venting under sauna heater and a high vent out on opposite wall is required for the sauna to operate properly.

