

ROUND VENT OUT COVER



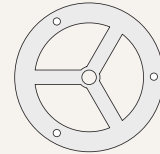
Proper ventilation is essential for optimal operation of a sauna room. The outlet vent is a crucial component, ensuring the circulation of fresh air within the space. Open and close the vent to control the airflow.

ROUND-VENT-002

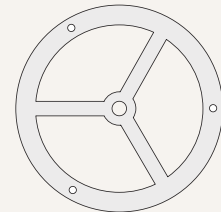
For
Sauna



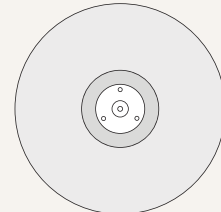
VENT SIZES



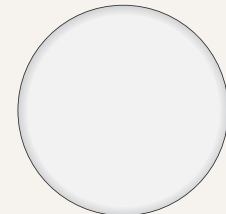
4" Mounting plate



6" Mounting plate



Vent cover back view



Vent cover front view

AVAILABLE WOODS

Texture

Type



Cedar



Aspen



Nordic Spruce



Magnolia



Black Taika

Texture

Type



Hemlock



Radiata Pine



Thermo Light Alder



California Redwood



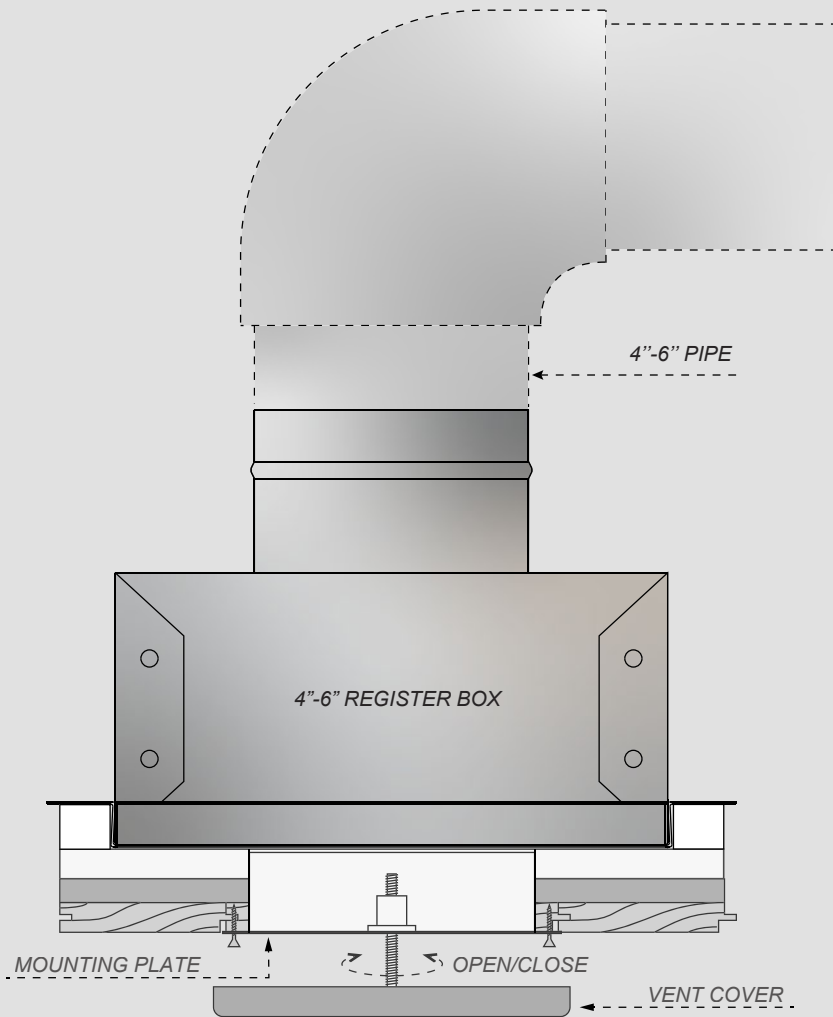
Thermo Dark Alder



818-787-4701

www.saunaspecs.com

INSTALLATION DETAIL

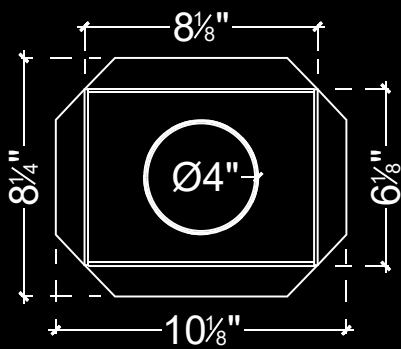


The rounded outlet ventilation unit is designed to be installed on the ceiling, ensuring efficient airflow within the room. To optimize its functionality, it should be positioned approximately 4 inches away from the walls, allowing for proper circulation.

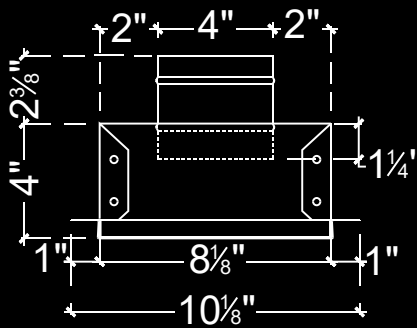
For the installation of this fixture, you will require a register box that matches the size of your vent. Additionally, a pipe is essential for effectively expelling vapor and ensuring a clean, healthy environment. With these components in place, you will enjoy improved air quality and comfort in your sauna room.



REGISTER BOX MEASUREMENTS



Top View



Front View