

# HARVIA

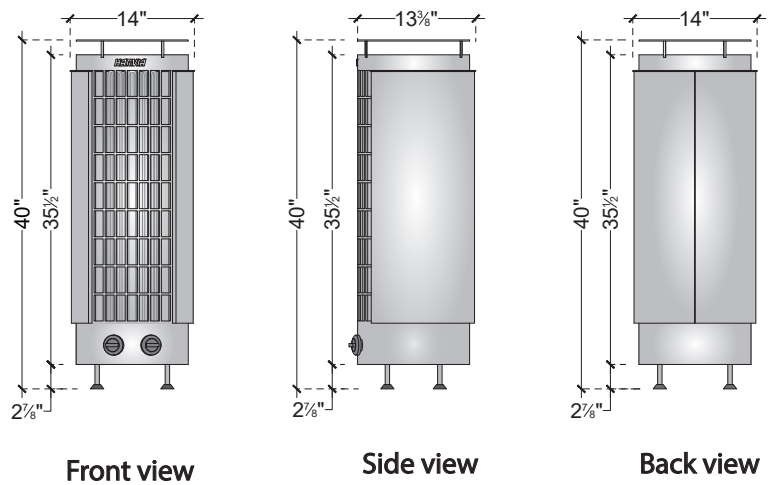
## HARVIA CILINDRO 9 KW FLOOR-STANDING SAUNA HEATER BUILT IN CONTROLS CILINDRO-90-240



### FEATURES

The Harvia Cilindro electric heater has an outer casing that is partially open at the front, allowing users to enjoy the benefits of a large stone surface. You can adjust between gentle and sharp steam by throwing water in the middle or on top of the stone pillar.

### SPECIFICATIONS



Front view

Side view

Back view

Product weight: 37.5 Lb.

### CODES/STANDARDS



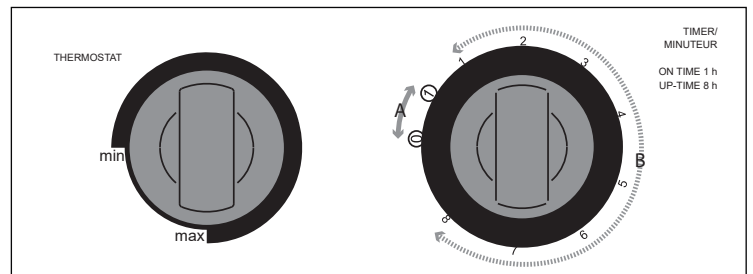
ETL LISTED  
CONFORMS TO  
UL STD 875  
CERTIFIED TO  
CAN/CSA STD  
E60335-2-53-05

HARVIA® MADE IN FINLAND  
Limited Warranty

3 year residential  
(use limited)



### HEATER CONTROLS



The Harvia Cilindro has 2 knobs on the front of the heater. The first one is for controlling the heat (up to 194°F), and the other is for setting the time in cycles of 1 hour, with a delay of up to 8 hours.

### AVAILABLE COLOR

Color	Description
	Stainless steel

### ACCESSORIES

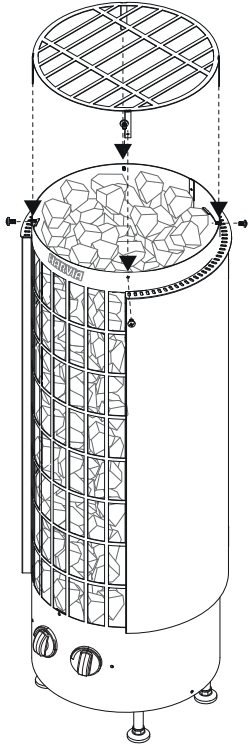
- Bucket with ladle.
- Sauna fragrances.
- Rocks. (200 Lb.)
- Safety railing.
- Safety railing illuminated.
- Heater extension base.
- Embedding flange.
- Embedding flange illuminated.

# HARVIA

## HARVIA CILINDRO 9 KW FLOOR-STANDING SAUNA HEATER BUILT IN CONTROLS CILINDRO-90-240

### VOLTAGE AND SAUNA VOLUME

Voltage	Breaker size AMPS	Wire size AWG	Sauna volume min. cu. ft.	Sauna volume max. cu. ft.
240 V 1-PH	50	8	141	494



### SPARE PARTS

- Heating element 3000W/240V
- Grill for Cilindro 6 - 9 kW
- Knob
- Gasket plate for heating element
- Capillary rack USA build in 6 - 9 kW
- Adjusting leg M10x60
- Electric set HPC USA 240V Built-in

Before operating the heater, fill the heater with rocks and install the safety grid.

Venting under sauna heater and a high vent out on opposite wall is required for the sauna to operate properly.

