



TYLÖ SENSE ELITE CLOUD CONTROL WALL-MOUNTED CONTROL PANEL FOR SAUNA HEATER TYLO-CONTROL-ELITE-001

Codes / Standards

UL 875



ETL Listed 9900218

**Tylö® MADE IN SWEDEN
Limited Warranty**

1 year commercial
5 year residential
(use limited)

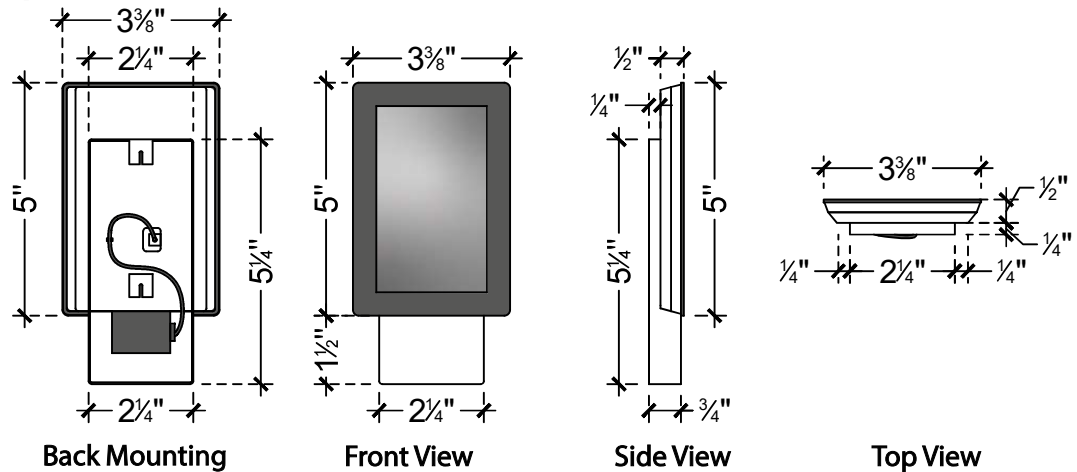
Available Colors

Color	Description
	Black

Installation Requirements

- Power unit.
- Extension power unit.
- Sensor.
- Tylö sauna heater.
- High limit sensor.
- Tylö sense elite control unit
- 2.4 GHz WI-FI and more than 50% of strength signal.

Specifications



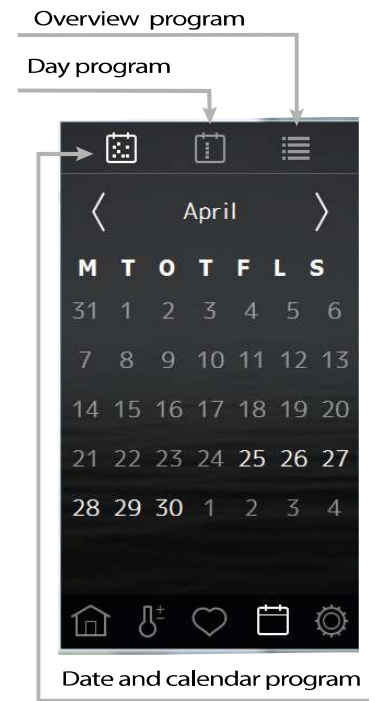
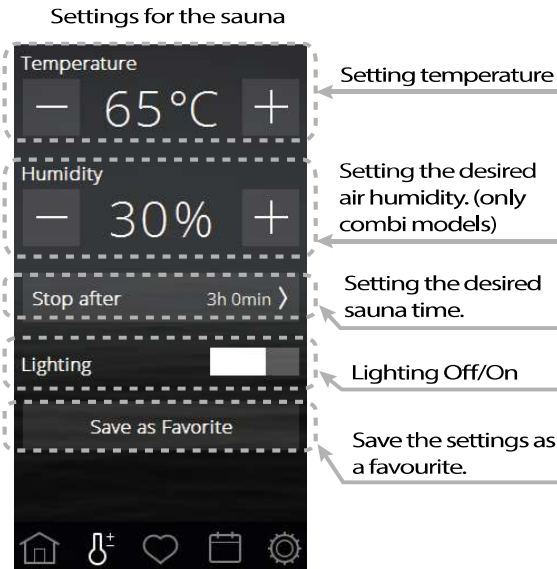
Features

The Elite Cloud, controllable remotely through the Tylö Control app, brings added convenience and customization. Whether post-skiing or post-work, having your sauna prepped enhances your experience. Programming it to your schedule ensures it's always ready. Its integration with WiFi networks and compatibility with PCs and mobile devices make it versatile and easy to use. These innovative features enhance sauna sessions, making them more enjoyable and accessible.

Mount the unit on the wall using the supplied bracket or double-sided adhesive. If using the bracket, attach the control panel to it using adhesive. For direct wall mounting, a 1 3/16" hole is needed. Use the bracket as a template to mark screw holes on the wall. Secure the bracket loosely with screws.

Initial setup:

- 1.-Touch the screen to begin and select the right arrow to proceed.
- 2.-Choose your language and tap the right arrow (>) to continue.
- 3.-Select your region and tap the right arrow (>) to proceed.
- 4.-Choose the date format and tap the right arrow (>) to continue.
- 5.-Set the date and tap the right arrow (>) to proceed.
- 6.-Set the time, and your control panel is ready for use. Other parameters will adjust automatically based on these settings and your heater type. You can change any parameter later.



HOME



SETTING UP



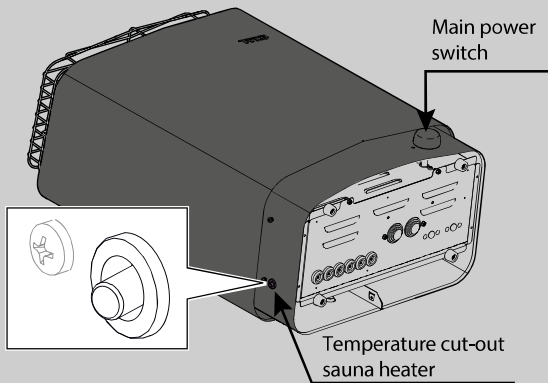
FAVOURITES



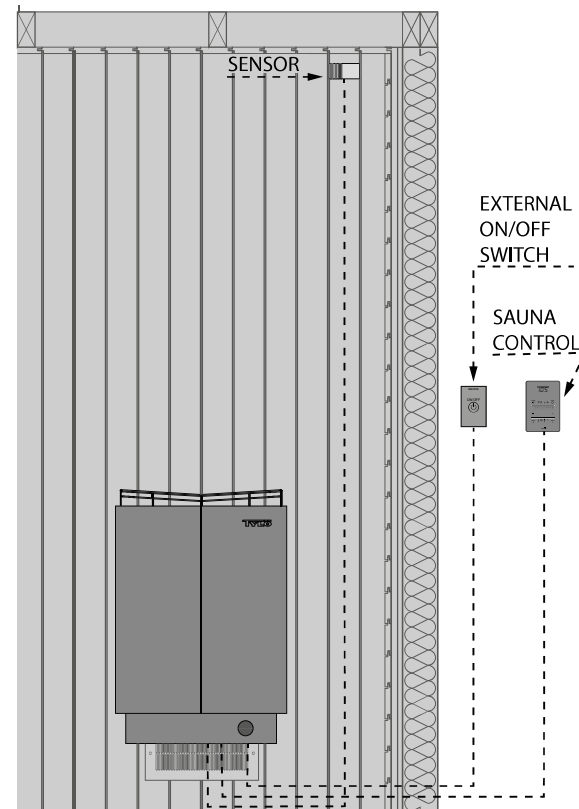
CALENDAR



CONFIGURATION



The control panel can be installed inside or outside the sauna/steam room. If installing inside the sauna cabin, the upper edge must not be more than 31" above the floor, and must be at least 12" from the heater. The ambient temperature around the Sense Elite cloud control panel should never exceed 176 °F.



Connect your Elite Cloud control panel by downloading the app from the Apple App Store or Google Play. Once installed, enable Cloud on your WLAN. To pair your device, open the app, go to System/Network, and select Cloud. Choose Add System, then scan the QR code displayed on your Elite Cloud control panel. Accept the pairing request in the Elite Cloud.

The heater's temperature protection devices:

- The temperature safety on the PCA in the heater is designed to prevent components from being damaged by overheating. If the safety switch is triggered, an error code will show on the control panel display. If the overheating switch has activated, the heater cannot be started again until the temperature has dropped to 68 degrees (°F) on the PCA.

- Heater - The temperature cut-out in the heater protects the components and woodwork in the sauna from overheating. There is a white reset button on the left side of the heater that must be pressed. If the heater safety switch has activated, the button will feel stiff and will 'click' when reset.

