

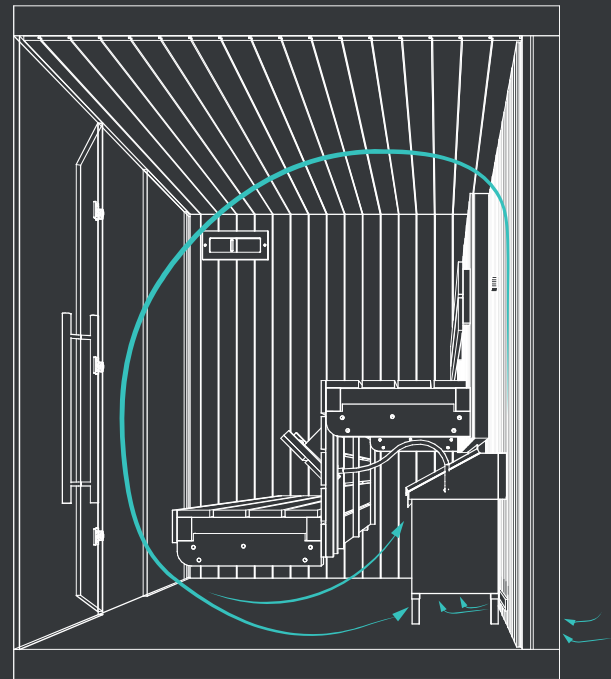


EOS INVISIO MIDI 6 KW FLOOR-STANDING SAUNA HEATER EOS-INM-E60-240



FEATURES

Sauna heater for concealed installation, located under the sauna benches.



TECHNICAL SPECIFICATION



Voltage	Breaker size AMPS	Wire size AWG	Sauna volume min. cu. ft.	Sauna volume max. cu. ft.	Weight
208 V 3Ph AC 60 Hz	30	12	214	303	53 Lb.
240 V 2Ph AC 60 Hz	30	12	214	303	53 Lb.

CODES / STANDARDS



CONFORMS TO
UL STD 875
CERTIFIED TO
CAN/CSA STD
E60335-1/4E
E60335-2-53

AVAILABLE COLOR

-  Stainless Steel
-  Black

ACCESORIES

- Bucket with ladle.
- Sauna fragrances.
- Rocks. (44 Lb.)

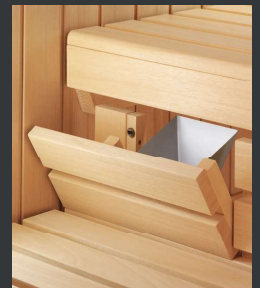
MADE 
IN 
GERMANY 

Limited Warranty

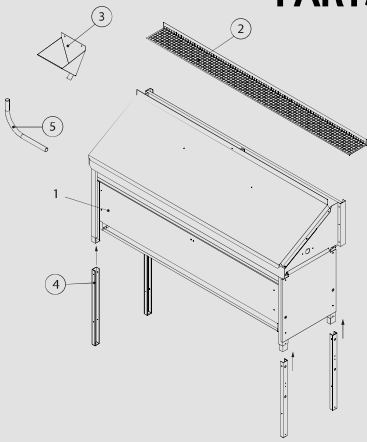
3 year residential (use limited)

- Space-saving design provides additional bench space in the sauna cabin.
- High user safety thanks to the concealed installation.
- Includes safety grill and reliable protection against objects falling down on the heater.
- Optimized heating performance thanks to the special position of heating elements, create a faster heat-up times.

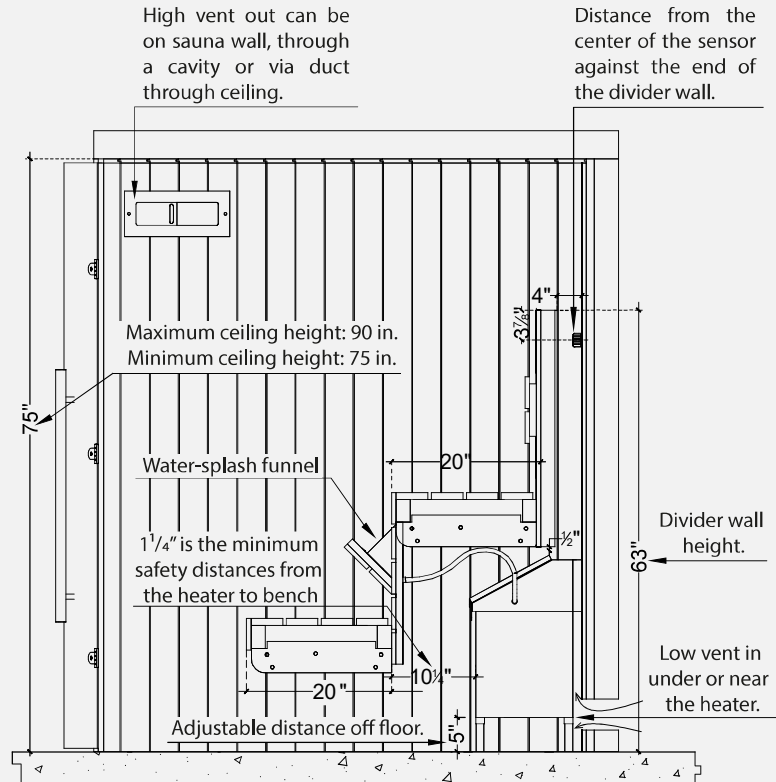
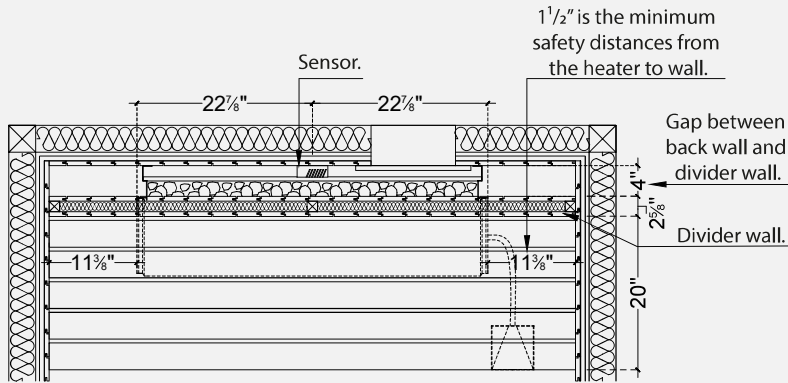
• Traditional water splashes possible, water infusion set with stainless steel funnel that is recessed in the bench skirt, the discreet flap provides the perfect touch for the EOS Invisio.



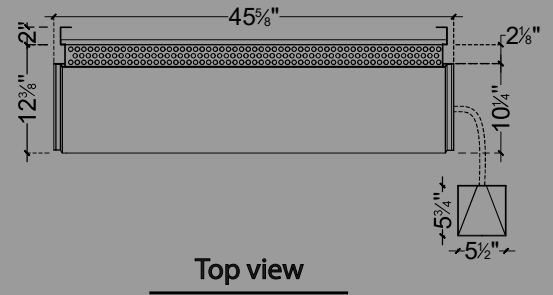
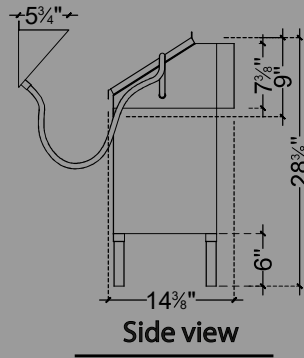
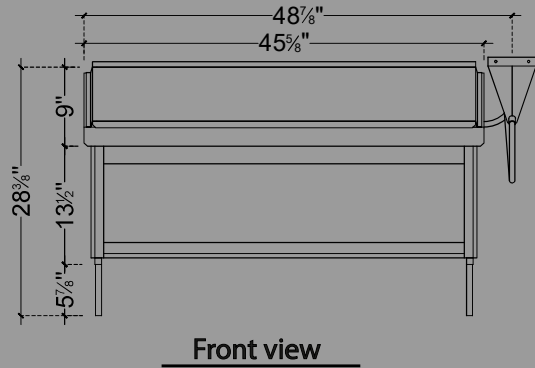
PARTS INCLUDED



1. Sauna heater
2. Safety grill
3. Water-splash funnel with hose
4. Adjustable feet
5. Elbow for water-splash hose



SPECIFICATIONS



CONTROL PANEL EOS EMOTEC AND POWER SUPPLY

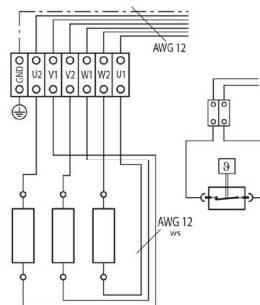
The control panel and power supply must be installed in a dry place, away from spa, pool, or shower, and not outdoors. A receptacle should not be installed inside the sauna room.

INSTALLATION REQUIREMENTS

- Sauna heater
- Control panel Eos Emotec
- Sensor
- Power supply for control unit

Wiring scheme

6.0 kW = 3 x 2000 W



Connection diagram

6.0 kW

