



TYLO SENSE PURE CONTROL WALL-MOUNTED CONTROL PANEL FOR SAUNA HEATER TYLO-CONTROL-PURE-001

Codes / Standards

UL 875



ETL Listed 9900218

Tylo® MADE IN SWEDEN
Limited Warranty

1 year commercial
5 year residential
(use limited)

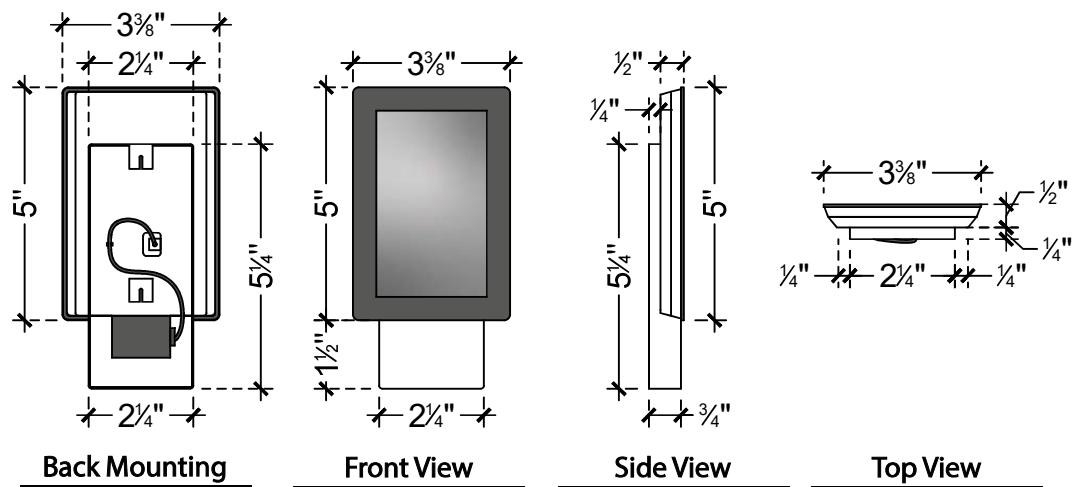
Available Colors

| Color | Description |
|--|-------------|
|  | Black |

Installation Requirements

- Power unit.
- Extension power unit.
- Sensor.
- Tylo sauna heater.
- High limit sensor.
- Tylo sense pure control unit

Specifications



Features

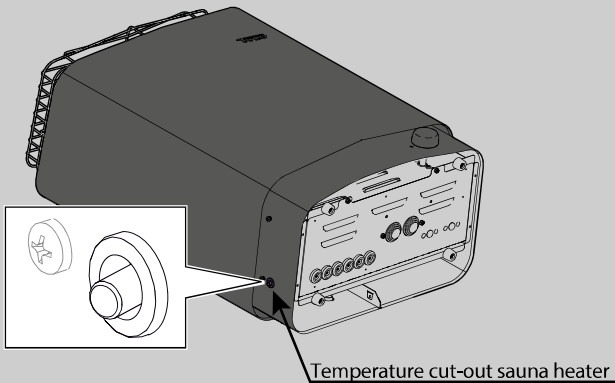
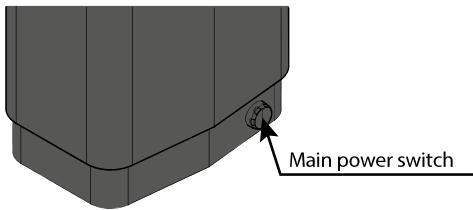
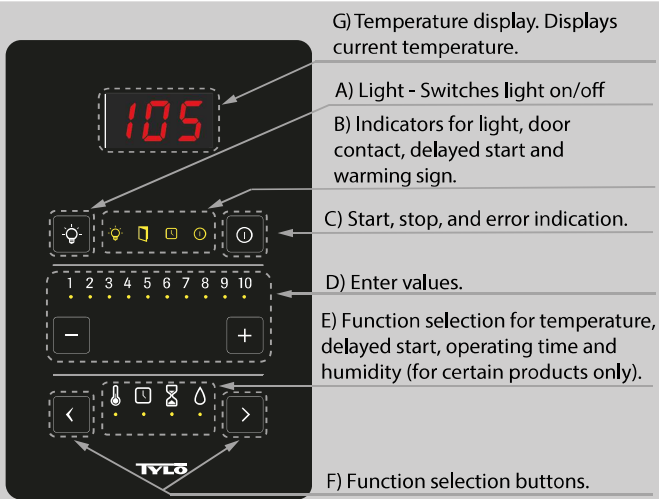
The elegant, compact design of the Pure control panel makes it the go-to choice for those who value functionality and simplicity. The thin black control lets you set the lighting, temperature, and sauna time easily with only a few touches. Of course, choosing the start time up to ten hours in advance means you can step into a wonderfully hot sauna or steam room as soon as you get home. (Door contact needs to be added).

- The Pure control panel is operated through smooth, soft-touch controls and is compatible with both sauna rooms and steam rooms.
- Specifically designed for seamless operation with Tylo and Helo sauna heaters.
- The versatile engineering behind Pure makes it possible to install both inside or outside of the sauna or steam room.

The unit can be mounted on the wall using the bracket or double-sided adhesive supplied. If using the bracket, mount the control panel on the bracket using adhesive. A 1 3/16" hole through the wall is required if mounting the control panel directly on the wall.

Installation with bracket

Use the bracket as a template to mark up screw holes on the wall. Tighten the screws until the bracket is loosely secured.



The heater's temperature protection devices:

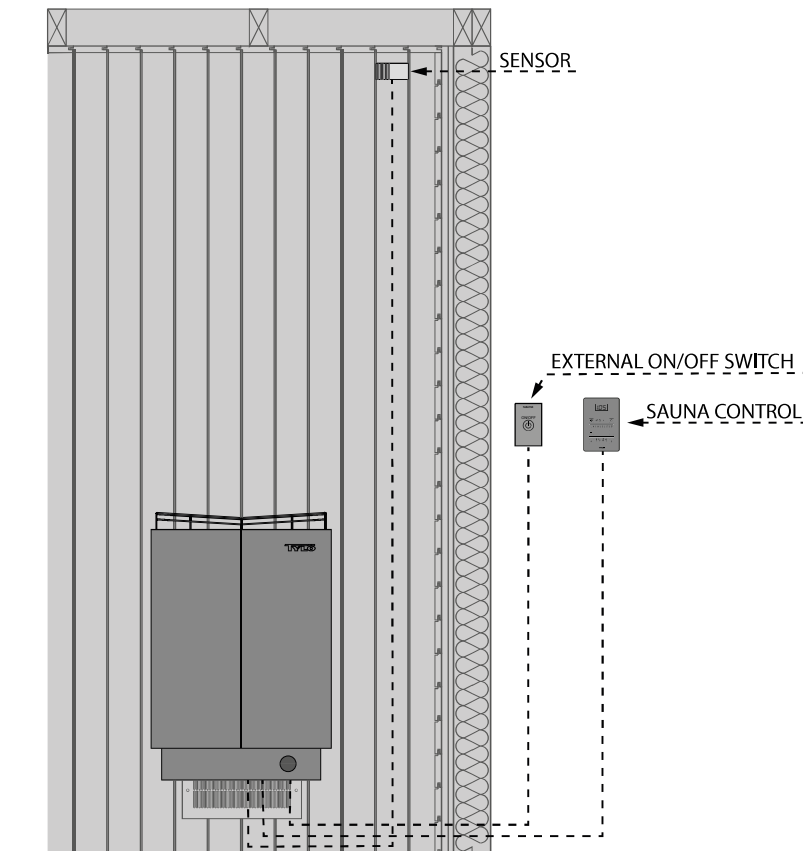
- The temperature safety on the PCA in the heater is designed to prevent components from being damaged by overheating. If the safety switch is triggered, an error code will show on the control panel display. If the overheating switch has activated, the heater cannot be started again until the temperature has dropped to 68 degrees (°F) on the PCA.
- Heater - The temperature cut-out in the heater protects the components and wood-work in the sauna from overheating. There is a white reset button on the left side of the heater that must be pressed. If the heater safety switch has activated, the button will feel stiff and will 'click' when reset.

How to program:

- 1.-Connect the control panel to the heater. Wait until contact between them is established. Once started, programming will begin within 5 minutes.
- 2.-Press the left arrow. The ON diode (C) will start to flash. After 5 seconds, it will be lit continuously. Release the button.
- 3.-Press the right arrow. The mode diodes will start to flash (F). After 5 seconds, they will light continuously and the program selection diode will light (D). Release the button.
- 4.-Scroll to the program required and confirm with ON.
- 5.-Restarting the system.
- 6.-The active program diode will flash 4 times when starting.

Start

To start the sauna, press (C). The last temperature setting and operating time will be used. The symbol will light in the indicator field to show that the heater has started. To switch off the sauna before the end of the operating time set, press the same button again.



The control panel can be installed inside or outside the sauna/steam room. If installing inside the sauna cabin, the upper edge must not be more than 31 inches above the floor and must be at least 12 inches from the heater. The ambient temperature around the Tylo sense pure control panel should never exceed 176 °F.