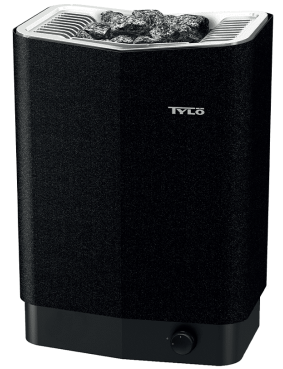




# TYLO U8 PURE COMBI 8KW

## WALL-MOUNTED SAUNA HEATER

### HT-TSP-C8-240



### Features

The Sense Pure Combi provides efficient and swift operation. This heater delivers a traditional dry sauna experience and also offers rich and enveloping steam for a different and unique sauna experience. The thermosafe protective coating prevents the outside of the heater from being too hot. The stone compartment is made with high-quality stainless steel.

### Parts Included

- Sauna heater.
- Screws B6x25 x 2 pcs, Clips C3x5 x 10 pcs.
- Cable between heater and control panel, RJ10 4P4C, cable, length 5 m x 1 pcs, Screws B6x25 x 3 pcs.
- Cable tie.
- Modular plug 4, 4/4RJ10 x 2, Plastic plugs 25x5 x 3 pcs
- Protection hose Ø14x150 mm x 3 pcs, for RJ10 cables
- Herb bowl/air humidifier.
- Herb bowl.
- Brackets.
- Sauna fragrance x 1.
- Connectors x 3, spacers x 4, screws x 4, bracket screws x 2.
- Temp.sensor and sensor cover.
- Control panel.
- Clips TC (3-5) x 10 pcs, Plastic plugs 25x5 x 2 pcs.

### Installation Requirements

- Sauna heater.
- Control panel sense pure, can be installed inside or outside the sauna room, the minimum distance when is installed inside the sauna is 12" between heater and control panel and the max height is 36" distance off floor.
- Sensor.
- Low vent in.
- High vent out can be through the sauna wall or the ceiling.

### Recommended Products Accessories

- User Button ON/OFF
- Control Extension Cable 35 feet
- Tylo Floor Stand.
- Recess Trim Kit for control.
- Rocks (45 Lb.)
- XL Temperature Cable

### Codes / Standards



ETL Listed 9900218

**Tylo® MADE IN SWEDEN**  
**Limited Warranty**

1 year commercial.  
5 year residential (use limited).

### Available Colors

Color	Code	Description
	19-4003	Black

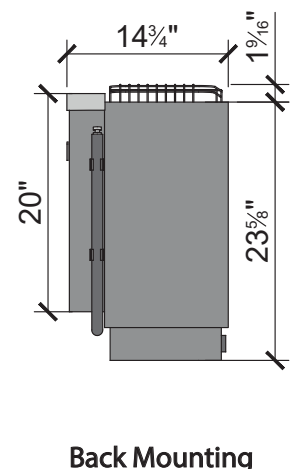
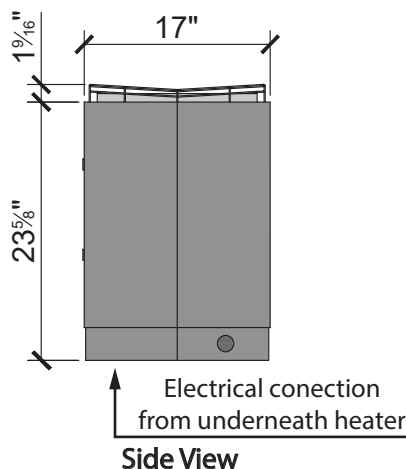
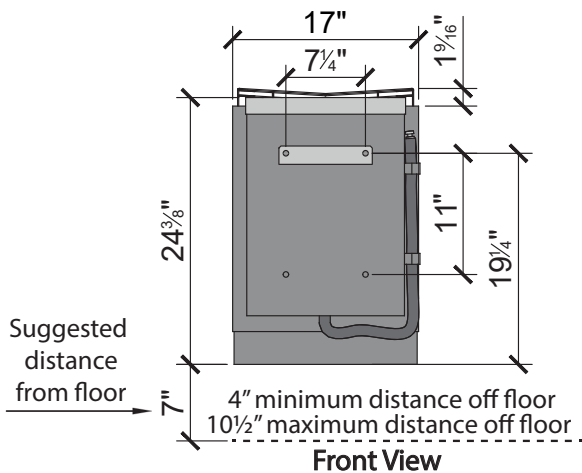
### Material

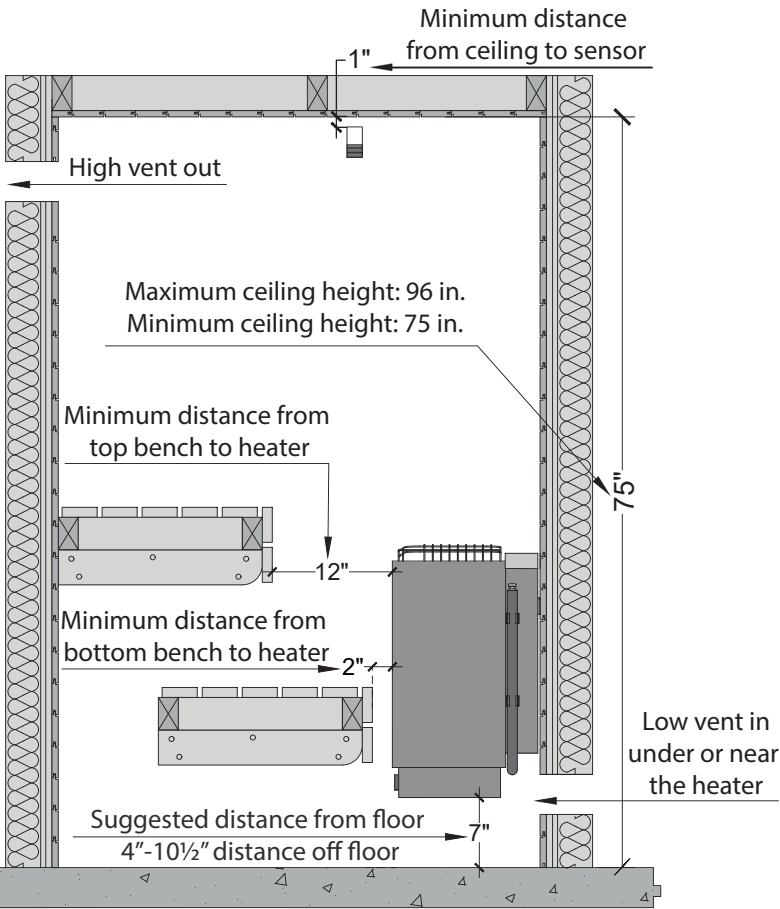
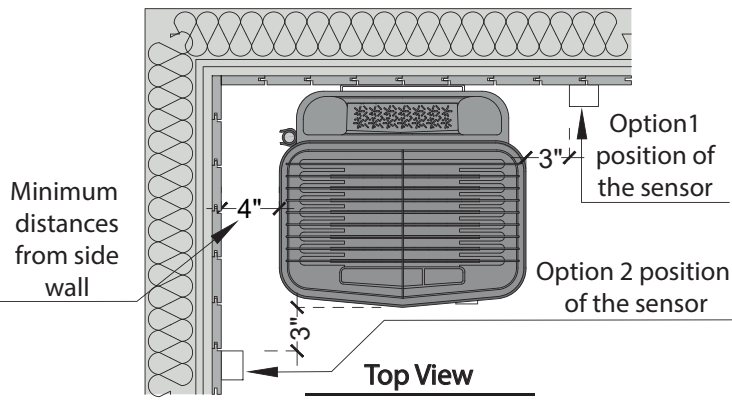
•Stainless Steel and thermosafe protective coating.

### Voltage and Sauna Volume

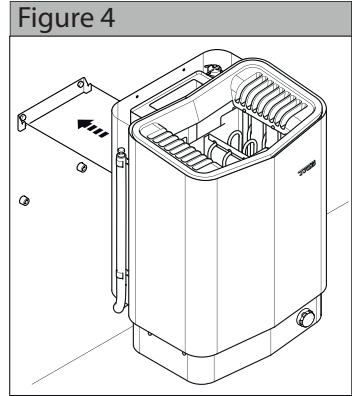
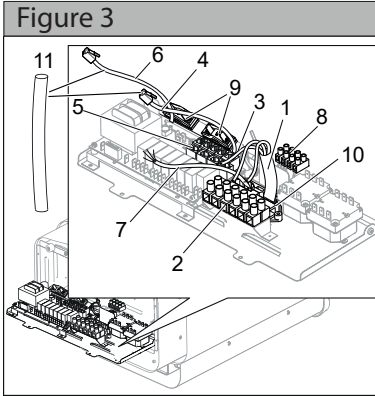
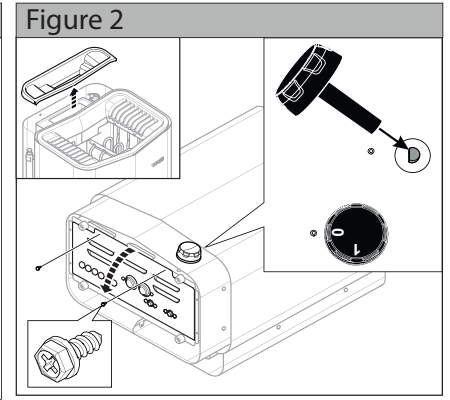
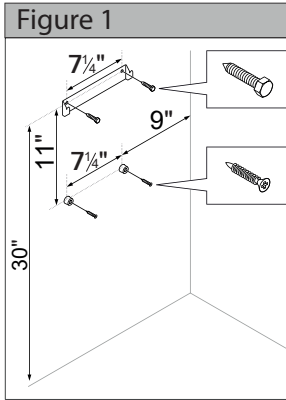
Volts †Phase	Breaker size AMPS	Wire size AWG	Sauna volume min. cu. ft.	Sauna volume max. cu. ft.
208 V 1-PH	40	10	195	285
240 V 1-PH	40	8	195	440

### Specifications





1. Attach the bracket and spacers to the wall following specified dimensions. (See figure 1).
2. Remove the water reservoir cover, lay the heater down with the front up, and install the knob. (See figure 2).
3. Undo screws and open the cover. (See figure 2).
4. Connect the electrical cable according to the wiring diagram. (See figure 3).
5. Run control panel and temperature sensor cables through grommets. Connect control panel cable to RS485 contacts. (See figure 3).
6. For Combi Pure model, connect sensor cable to NTC contact on circuit board. (See figure 7).
7. Connect relevant light cable according to the wiring diagram.
8. Close cover and tighten screws. (See figure 2).
9. Hang heater on bracket. (See figure 4).
10. Fit spacers between heater and wall to prevent lifting.
11. Fit covers for water reservoir, herb grille, and fragrance holder/air humidifier. (See figure 5).
12. Install sensor on the wall and pass thermistor wire through. Seal any wall holes. Extend thermistor wire outside using low voltage wire if needed. (See figure 6).



1. Electrical cable
2. Terminal for connection of wire
3. Cable grommet (x5)
4. Control panel cable
5. Modular contacts for connection of control panel, and sensor
6. Sensor cable

7. Light cable
8. Terminal for connection of light
9. Strain relief connector for wires to modular contacts
10. Strain relief connector for wires
11. Protection hose for RJ10 cables

