

HARVIA

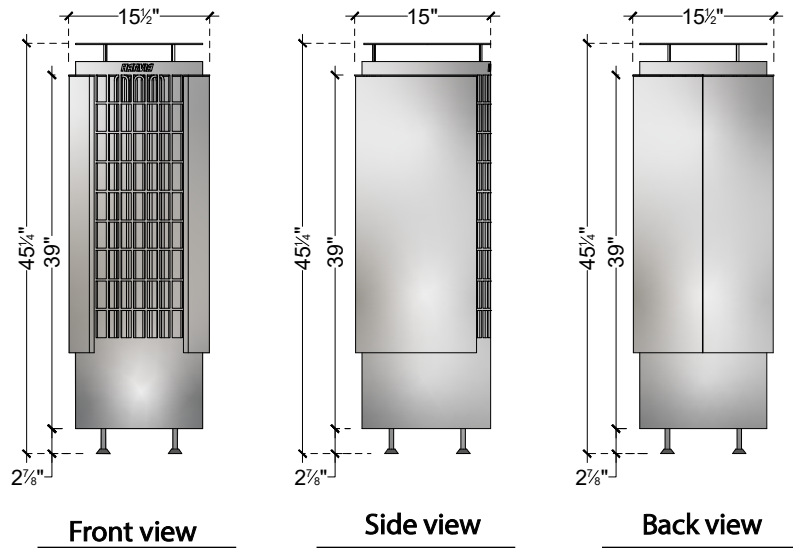
HARVIA CILINDRO 10.5 KW FLOOR-STANDING SAUNA HEATER HARVIA XENIO CONTROL PANEL CILINDRO-105-240



FEATURES

The Harvia Cilindro electric heater has an outer casing that is partially open at the front, allowing users to enjoy the benefits of a large stone surface. You can adjust between gentle and sharp steam by throwing water in the middle or on top of the stone pillar.

SPECIFICATIONS



Product weight: 47.39 Lb

CODES/STANDARDS



ETL LISTED
CONFORMS TO
UL STD 875
CERTIFIED TO
CAN/CSA STD
E60335-2-53-05

HARVIA® MADE IN FINLAND

Limited Warranty

3 year residential
(use limited)
1 year commercial
(use limited)



AVAILABLE COLOR

Color	Description
	Stainless steel

CONTROL PANEL XENIO AND POWER UNIT

The control panel and power unit must be installed in a dry place, away from spa, pool, or shower, and not outdoors. A receptacle should not be installed inside the sauna room.

INSTALLATION REQUIREMENTS

- Sauna heater
- Control panel Xenio
- Sensor
- Power unit
- Venting is required for the sauna to operate properly. (Low vent in under sauna heater and a high vent out on opposite wall.)

ACCESSORIES

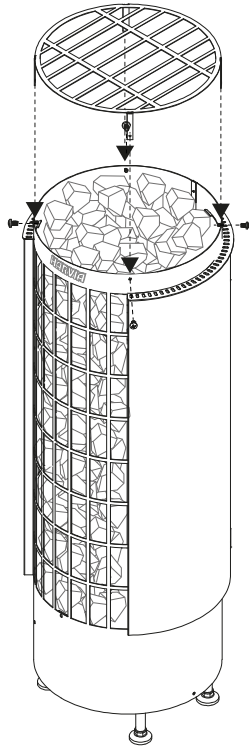
- Bucket with ladle.
- Sauna fragrances.
- Rocks. (270 Lb.)
- Safety railing.
- Safety railing illuminated.
- Heater extension base.
- Embedding flange.
- Embedding flange illuminated.

HARVIA

HARVIA CILINDRO 10.5 KW FLOOR-STANDING SAUNA HEATER HARVIA XENIO CONTROL PANEL CILINDRO-105-240

VOLTAGE AND SAUNA VOLUME

Voltage	Breaker size AMPS	Wire size AWG	Sauna volume min. cu. ft.	Sauna volume max. cu. ft.
240 V 1-PH	50	6	141	636
208 V 1-PH	40	8	141	636



Before used the heater, fill the heater with rocks and install the safety grid.

SPARE PARTS

- Heating element 3500W/240V
- Capillary rack USA build in 11 kW
- Grill for Cilindro 11 kW
- Adjusting leg M10x60
- Gasket plate for heating element

