

# EOS CUBO AVANTGARDE 7.5 KW

## FLOOR-STANDING SAUNA HEATER

### EOS-CUB-E75-240



#### CODES / STANDARDS



Intertek  
5023683

CONFORMS TO  
UL STD 875  
CERTIFIED TO  
CAN/CSA STD  
E60335-1/4E  
E60335-2-53

MADE   
IN  EOS®  
GERMANY 

#### Limited Warranty

2 year residential (use limited)

#### AVAILABLE COLOR

 Black

#### ACCESSORIES

- Bucket with ladle.
- Sauna fragrances.
- Rocks. (55 Lb. + 22 Lb.)

#### FEATURES

Floor-standing sauna heater for dry sauna as an exclusive Avantgarde edition. Featuring an elegant white quartz stone display.

The luxurious matte black finish on all sides perfectly completes the design, greates for installation in center on infront of glass panels.

- Exclusive, distinctive design with a stilish rock store extension.
- Luxurious matte black in all the sides including the top.
- Set of special quartz stones included in delivery.

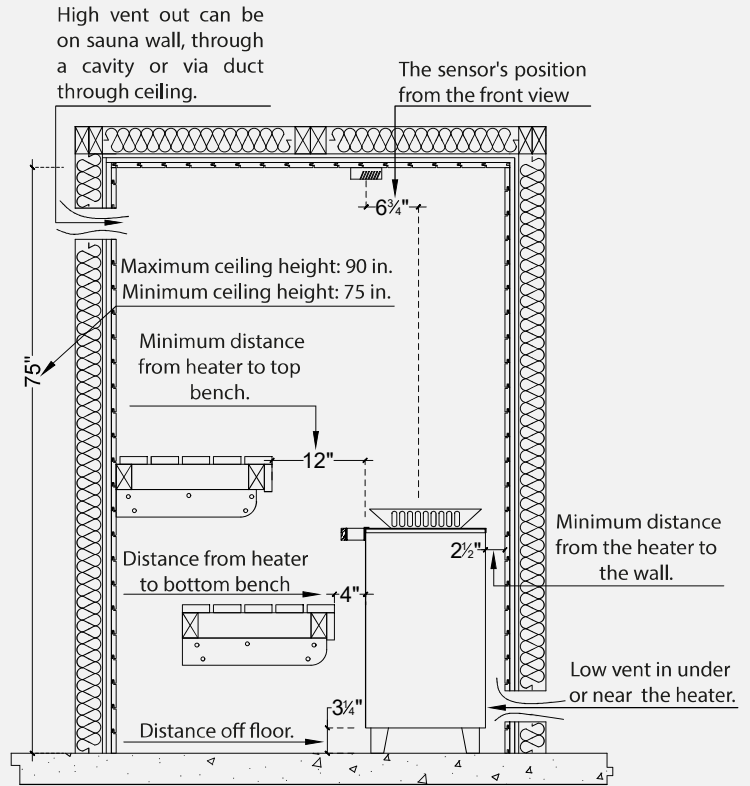
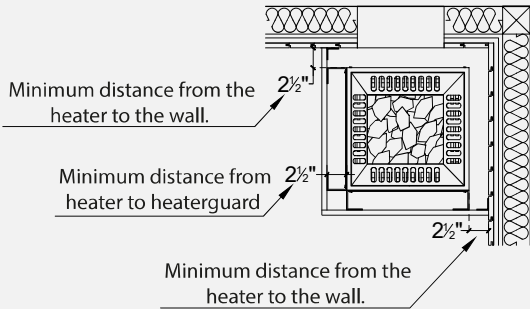
#### TECHNICAL SPECIFICATION

Voltage	Breaker size AMPS	Wire size AWG	Sauna volume min. cu. ft.	Sauna volume max. cu. ft.	Weight
208 V 3Ph AC 60 Hz	30	12	246	353	62 Lb.
240 V 2Ph AC 60 Hz	30	12	246	353	62 Lb.

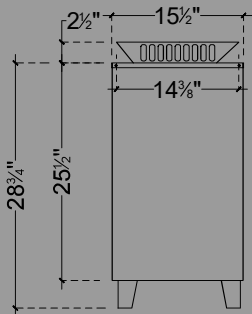
# ROCK EXTENSION



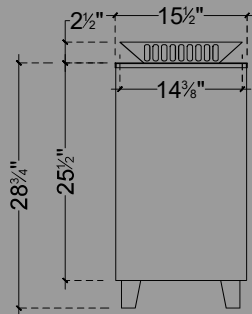
With special rock store extension frame with 22 lbs of white quartz stones.  
Mounting brackets for safety guard rail (4-sided) optional.



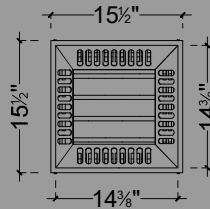
# SPECIFICATIONS



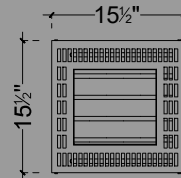
Front view



Side view

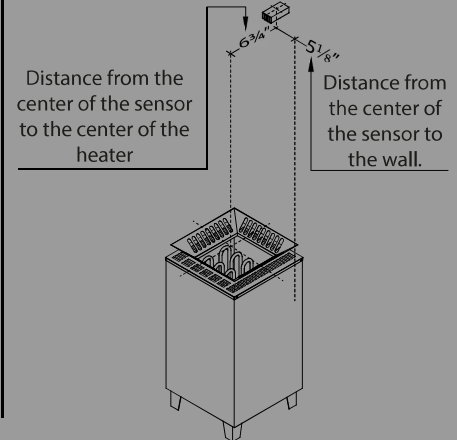


Top view with rock extension



Top view without rock extension

# SENSOR LOCATION



# CONTROL PANEL EOS EMOTEC AND POWER SUPPLY

The control panel and power supply must be installed in a dry place, away from spa, pool, or shower, and not outdoors. A receptacle should not be installed inside the sauna room.

# INSTALLATION REQUIREMENTS

- Sauna heater
- Control panel Eos Emotec
- Sensor
- Power supply for control unit

# Connection Diagram

