

sauna-sand-timer-001

Sauna Sand Timer

Features

Meticulously crafted with thermo wood. This 15-minute hourglass timer comes complete with a rotating bracket for easy installation. Ideal for timing your sauna sessions, simply rotate the timer 180° on the bracket to reset for your next session. Its Cedar wood frame adds a touch of natural elegance, while engraved numbers ensure clear visibility.

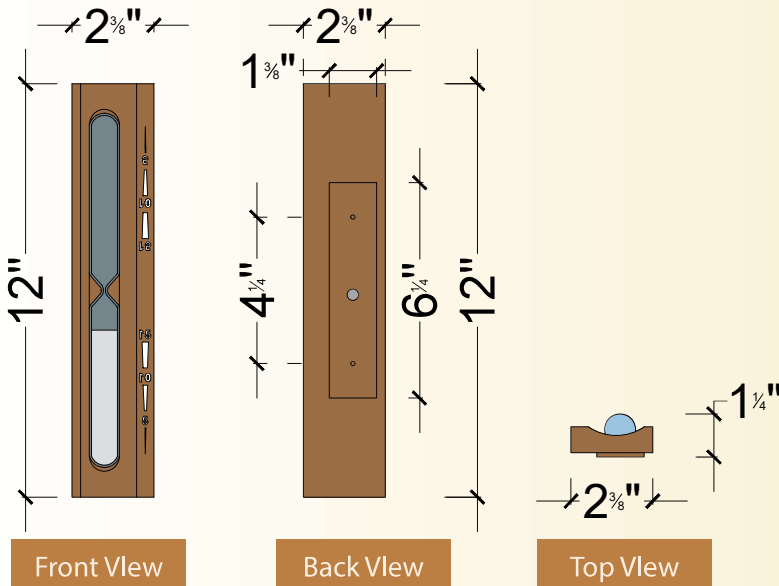
Wood Color



Thermo wood



Specifications



Installation Requirements

1. Ensure the mounting slat is kept in a vertical position.
2. Turn the sand timer to the left or right.
3. Attach the back piece to the wall using 2 wooden screws.
4. Return the sand timer to the vertical position.
5. Install at head height on the wall the heater across from.

